

**DESPIECE
PART LIST**

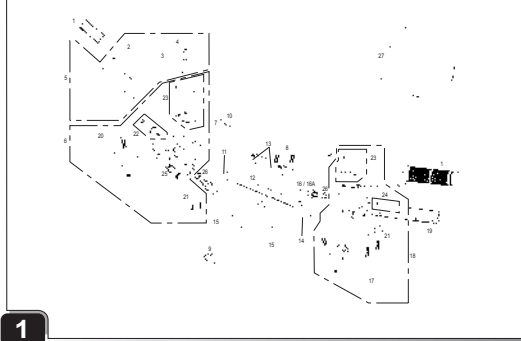
TXT ROOKIE

2005

RAAGGAAK

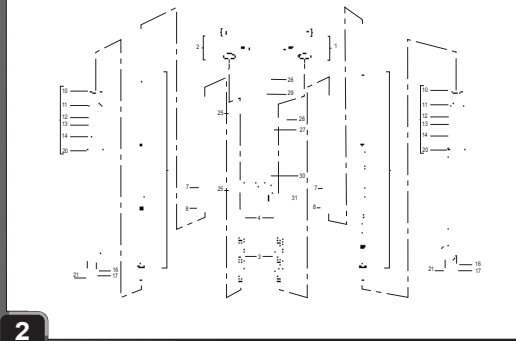
CHASIS

Manillar / Handlebar **GAS GAS** TXT ROOKIE 05



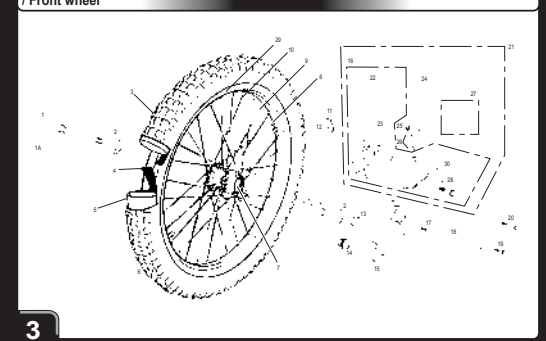
1

Suspensión / Front fork **GAS GAS** TXT ROOKIE 05



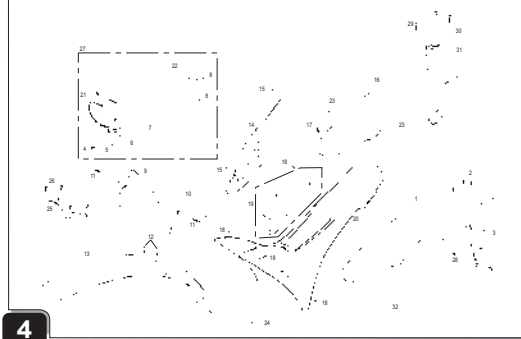
2

Rueda delantera / Front wheel **GAS GAS** TXT ROOKIE 05



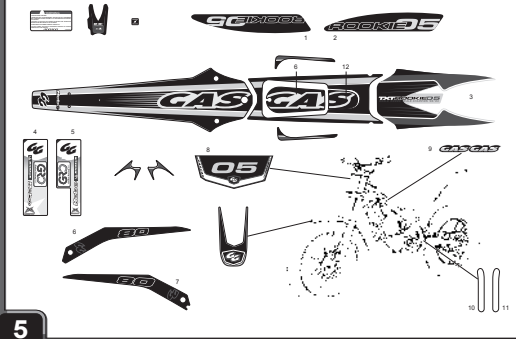
3

Plásticos / Plastics **GAS GAS** TXT ROOKIE 05



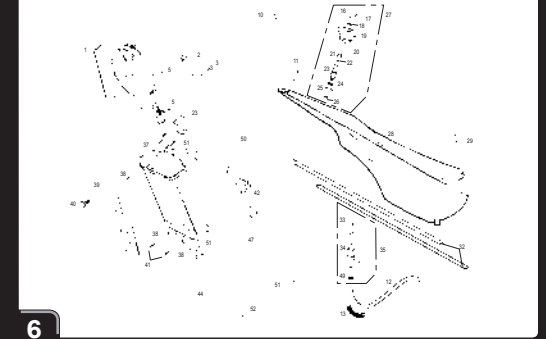
4

Adhesivos / Stickers **GAS GAS** TXT ROOKIE 05



5

Depósito / Fuel tank **GAS GAS** TXT ROOKIE 05

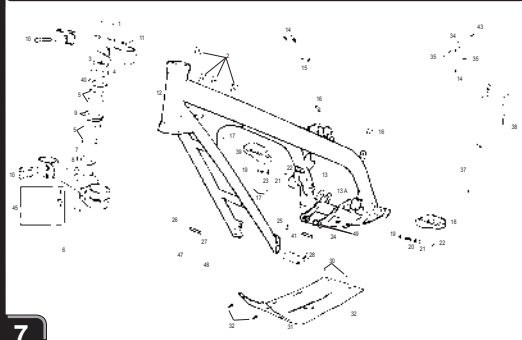


6

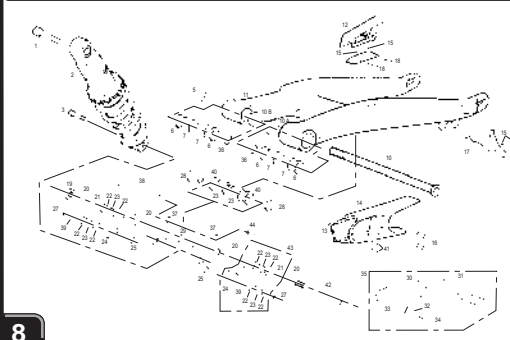
DESPIECE

FRAME

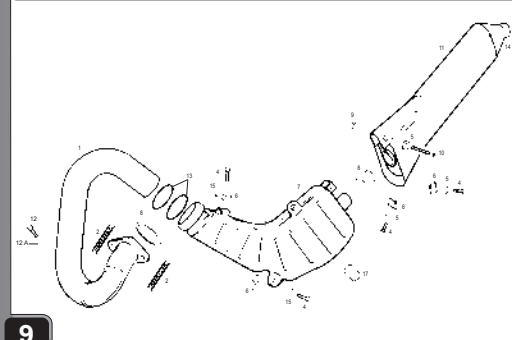
Chasis / Frame **GAS GAS** TXT ROOKIE 05



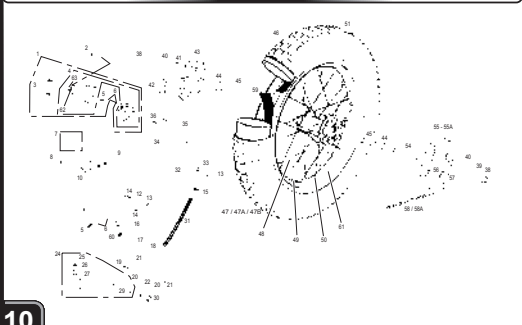
Basculante / Swingarm **GAS GAS** TXT ROOKIE 05



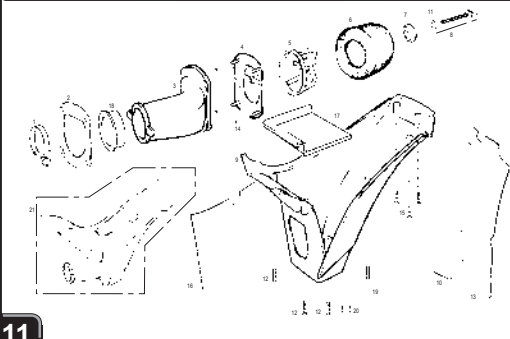
Escape / Exhaust **GAS GAS** TXT ROOKIE 05



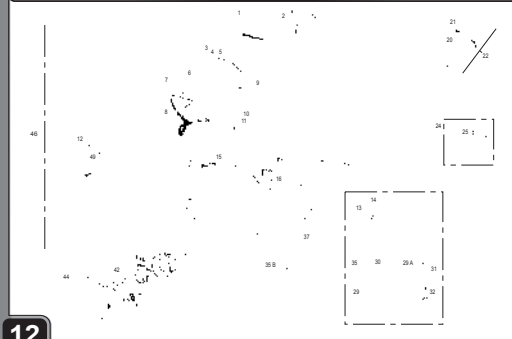
Rueda trasera / Rear wheel **GAS GAS** TXT ROOKIE 05



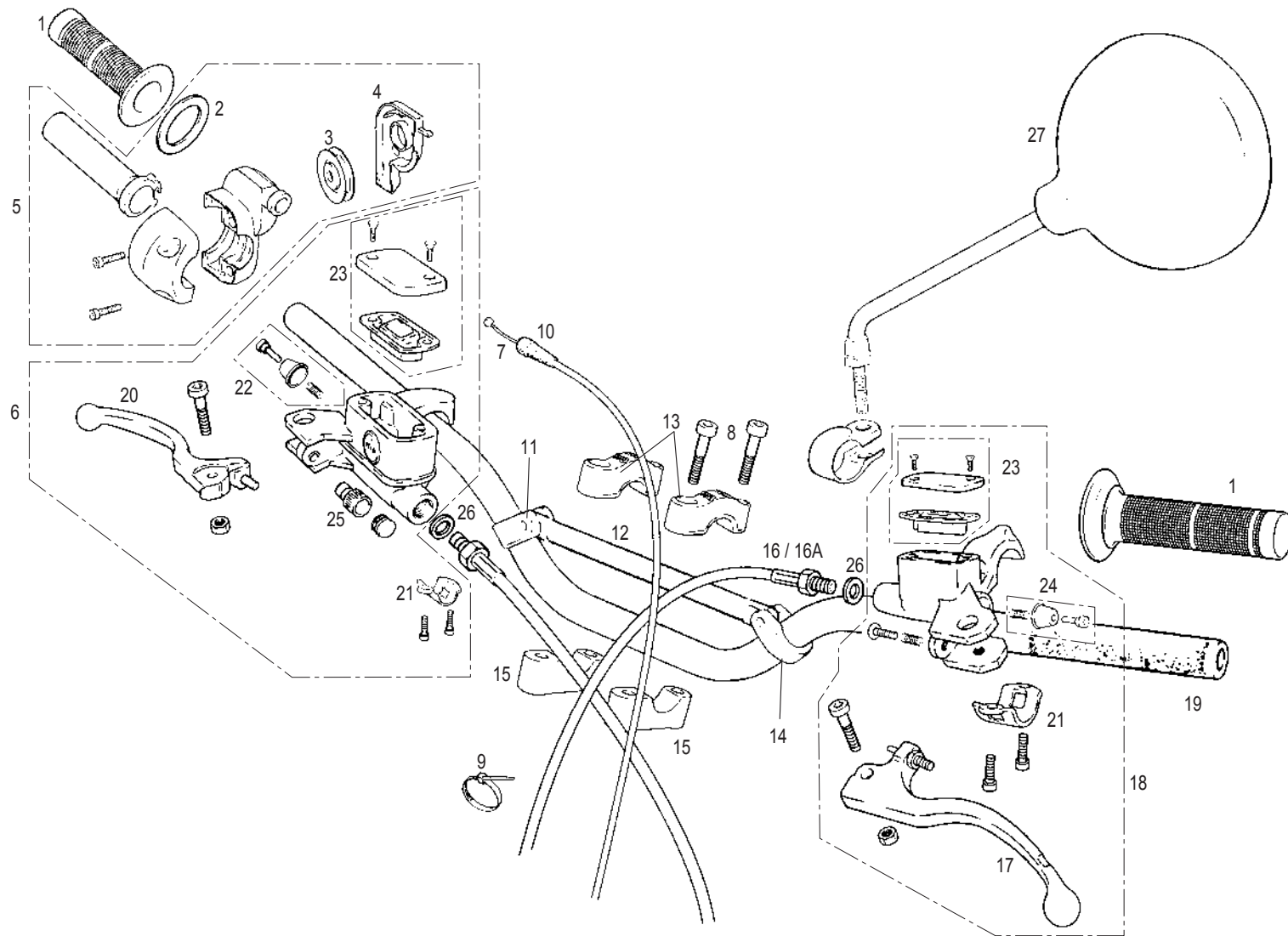
Caja filtro / Filter box **GAS GAS** TXT ROOKIE 05



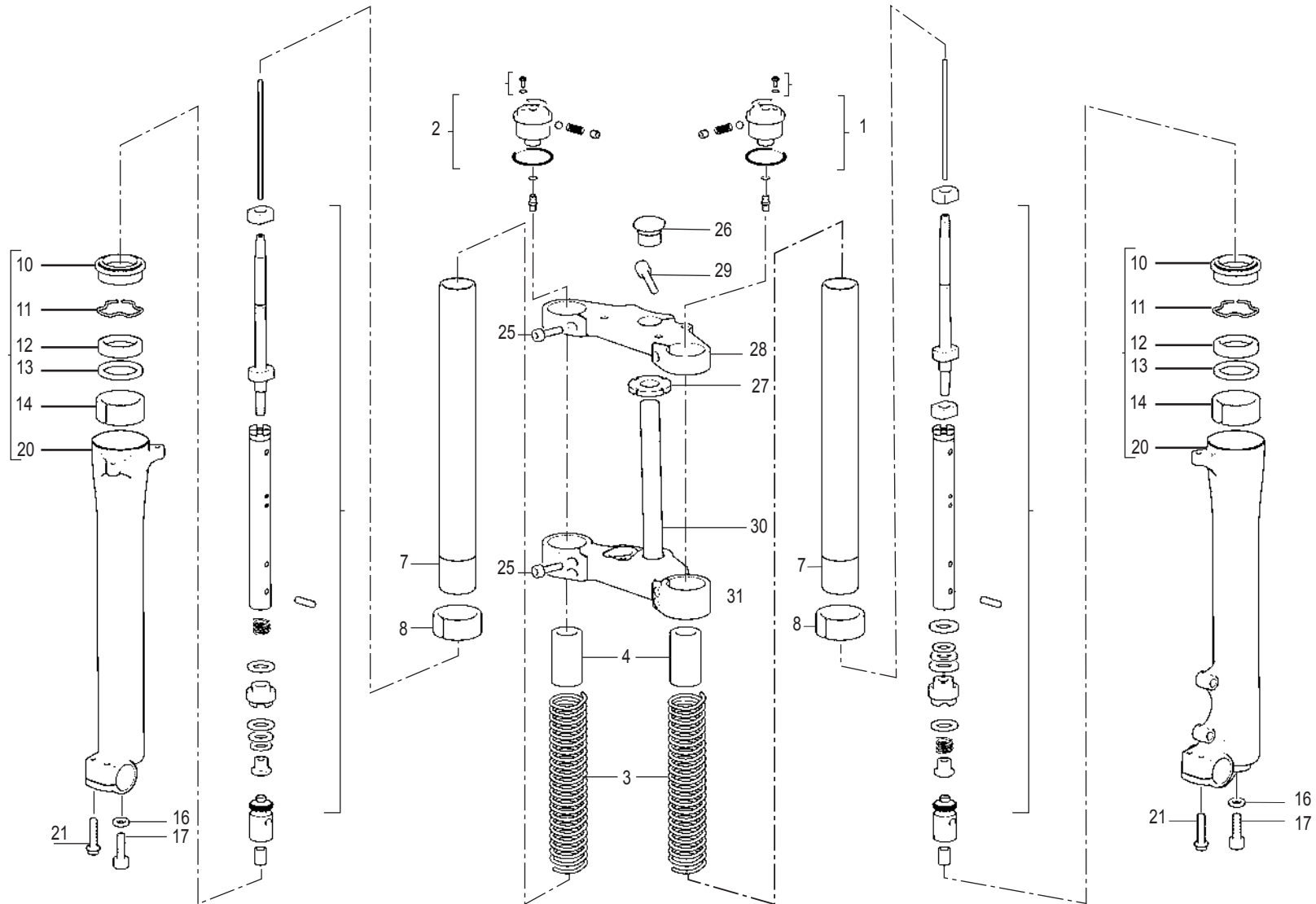
Eléctrico / Electric **GAS GAS** TXT ROOKIE 05



PART LIST



Nº	DESCRIPCIÓN / DESCRIPTION	TXT ROOKIE 05	Cant.
1	JUEGO EMPUÑADURAS TRIAL / HANDLEBAR GRIP (PAIR)	BT27936002	1
2	ARANDELA MANDO GAS / TWIST GRIP WASHER	BT27922078	1
3	RODILLO MANDO GAS / TWIST GRIP ROLLER	E119000	1
4	TAPA MANDO GAS / TWIST GRIP COVER	E140000	1
5	PUÑO MANDO GAS / CPT. TWIST GRIP	E100001	1
6	BOMBA FRENO DELANTERO / FRONT BRAKE PUMP	BT280222008	1
7	CABLE DE GAS / THROTTLE CABLE	BRT500124008	1
8	ALLEN 8X55 / 8X55 ALLEN SCREW	T0308055	4
9	BRIDA UNEX 4.8X20 / UNEX 4.8X20 CLAMP	BE25634009	1
10	GUARDAPOLVO PUÑO GAS / THROTTLE CABLE DUST COVER	G600000	1
11	SOP. BARRA SUJECIÓN MANILLAR DER. / RIGHT CROSSBRACE HANDLEBAR SUPPORT	BT27924015	1
12	BARRA SUJECIÓN MANILLAR / CROSSBRACE HANDLEBAR	B650003	1
13	BRIDA MANILLAR / HANDLEBAR CLAMP	BT27914012	1
14	SOP. BARRA SUJECIÓN MANILLAR IZQ. / LEFT CROSSBRACE HANDLEBAR SUPPORT	BT27924016	1
15	BRIDA INFERIOR MANILLAR / LOWER HANDLEBAR CLAMP	BT27914013	2
16	LATIGUILLO EMBRAGUE TRIAL / TRIAL CLUTCH TUBE	BT27722003	1
16A	RACORD ESPECIAL LATIGUILLO / SPECIAL RACORD TUBE	BT27722212	1
17	MANETA EMBRAGUE / CLUTCH LEVER	BT280222040	1
18	BOMBA EMBRAGUE ACEITE / CLUTCH PUMP	BT280022009	1
19	MANILLAR / HANDLEBAR ASSY.	BT27724001C	1
20	MANETA FRENO AJP 93 PLATA / BRAKE LEVER TRIAL	R390002PL	1
21	SOPORTE BOMBA EMBRAGUE / CLUTCH PUMP SUPPORT	BE250022211	2
22	KIT BOMBA FRENO / BRAKE PUMP SET	BT27722208	1
23	KIT TAPA BOMBA / COVER PUMP SET	BT280422210	2
24	KIT BOMBA EMBRAGUE / CLUTCH PUMP SET	BT280422209	1
25	CASQUILLO PULSADOR FRENO DELANTERO / PUSH BUTTON BUSHING	BT27922079	1
26	ARANDELA COBRE 10X14X1 / 10X14X1 WASHER	R330001	3
27	ESPEJO RETROVISOR / REAR VIEW MIRROR	L300760	2

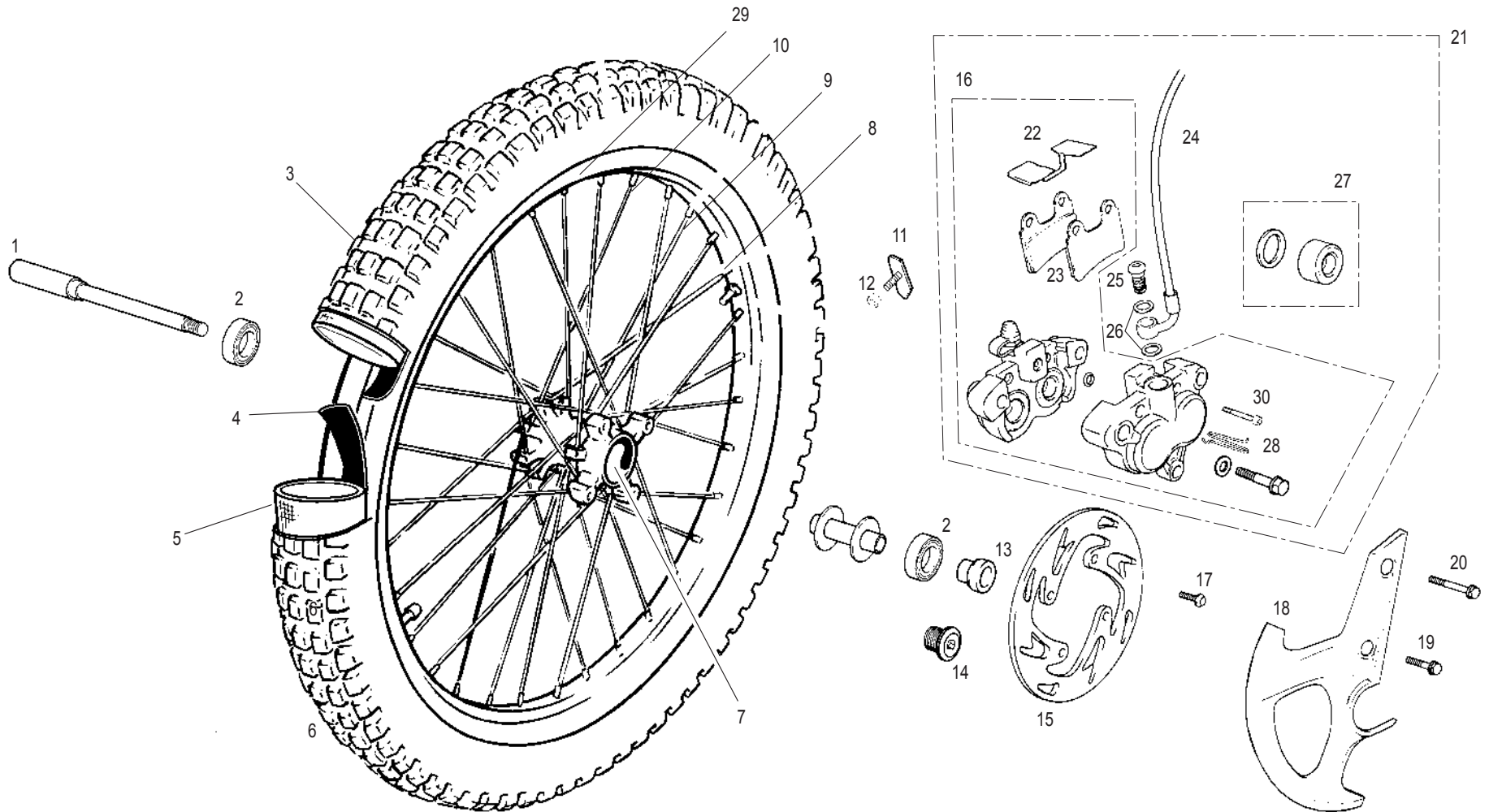


Nº	DESCRIPCIÓN / DESCRIPTION	TXT ROOKIE 05	Cant.
1	CTO. TAPÓN REGULACIÓN COMPRESIÓN / ADJUSTING COMPRESSION CAP	BT280314105	1
2	CTO. TAPÓN REGULACIÓN EXTENSIÓN / ADJUSTING RETURN CAP	BT280314106	1
3	MUELLE SUSPENSIÓN / FRONT FORK SPRING	BT280314108	2
4	TOPE PRECARGA AMORTIGUADOR / PRE-LOAD WASHER	BT280314148	2
5	REGULADOR HIDRÁULICO COMPR. / ADJUSTER TOP COMPRESSION	BT280314114	1
6	REGULADOR HIDRÁULICO EXT. / ADJUSTER TOP RETURN	BT280314115	1
7	BARRA SUSPENSIÓN / FRONT FORK INNER TUBE	BT280314110	2
8	GLACIER SUSPENSIÓN / GLACIER BUSHING	ST950212	2
9	CENTRAJE TUBO HIDRÁULICO / SPACER BUSH	BT280314219	2
10	GUARDAPOLVO / DUST SEAL	BT280314131	2
11	SEEGER SUSPENSIÓN TRIAL / TRIAL FRONT FORK SEEGER	BT280114211	2
12	RETÉN / SEAL	ST950220	2
13	ARANDELA SUPERIOR TRIAL / TRIAL UPPER WASHER	BT280114213	2
14	GLACIER BOTELLA SUSPENSIÓN / TUBE GLACIER BUSH	ST950213	2
15	BOTELLA IZQUIERDA SUSPENSIÓN TRIAL / LEFT OUTER TUBE	BT280314019MZ	1
16	ARANDELA GOMA INTERIOR / FRONT FORK WASHER SEAL	BT280314145	2
17	ALLEN / ALLEN SCREW	BT280314249	2
18	TÓRICA TORNILLO AIRE / OIL DRAIN WASHER	BT280314104	2
19	TORNILLO / SCREW	BT280314103	2
20	BOTELLA DERECHA SUSPENSIÓN TRIAL / RIGHT OUTER TUBE	BT280314009MZ	1
21	ALLEN ESPECIAL 6X25 UFK / 6X25 SPECIAL ALLEN	T0316025	2
22	ALLEN M8X55 / M8X55 ALLEN BOLT	T0308055	4
23	BRIDA SOPORTE MANILLAR / SUPPORT HANDLEBAR CLAMP	BT27914012	2
24	BRIDA INFERIOR MANILLAR / LOWER HANDLEBAR CLAMP	BT27914013	2
25	ALLEN 8X30 CULATA / 8X30 SCREW BOLT ALLEN	T0308030	4
26	TAPÓN PLATINA SUPERIOR / TOP STEERING AXLE CAP	ST950523	1
27	TUERCA DIRECCIÓN / NUT UNDER TOP CLAMP	BT27910029	1
28	PLATINA SUPERIOR / CLAMP TRIPLE TOP (YOKE)	ST950300	1
29	ULS 6X10 TOPE FRENO PRO. FIL. / 6X10 ULS SCREW BOLT	T0506010	1
30	EJE DIRECCIÓN / STEERING AXLE	BT280214003	1
31	PLATINA INFERIOR / LOWER TRIPLE CLAMP (YOKE)	BT280214002	1

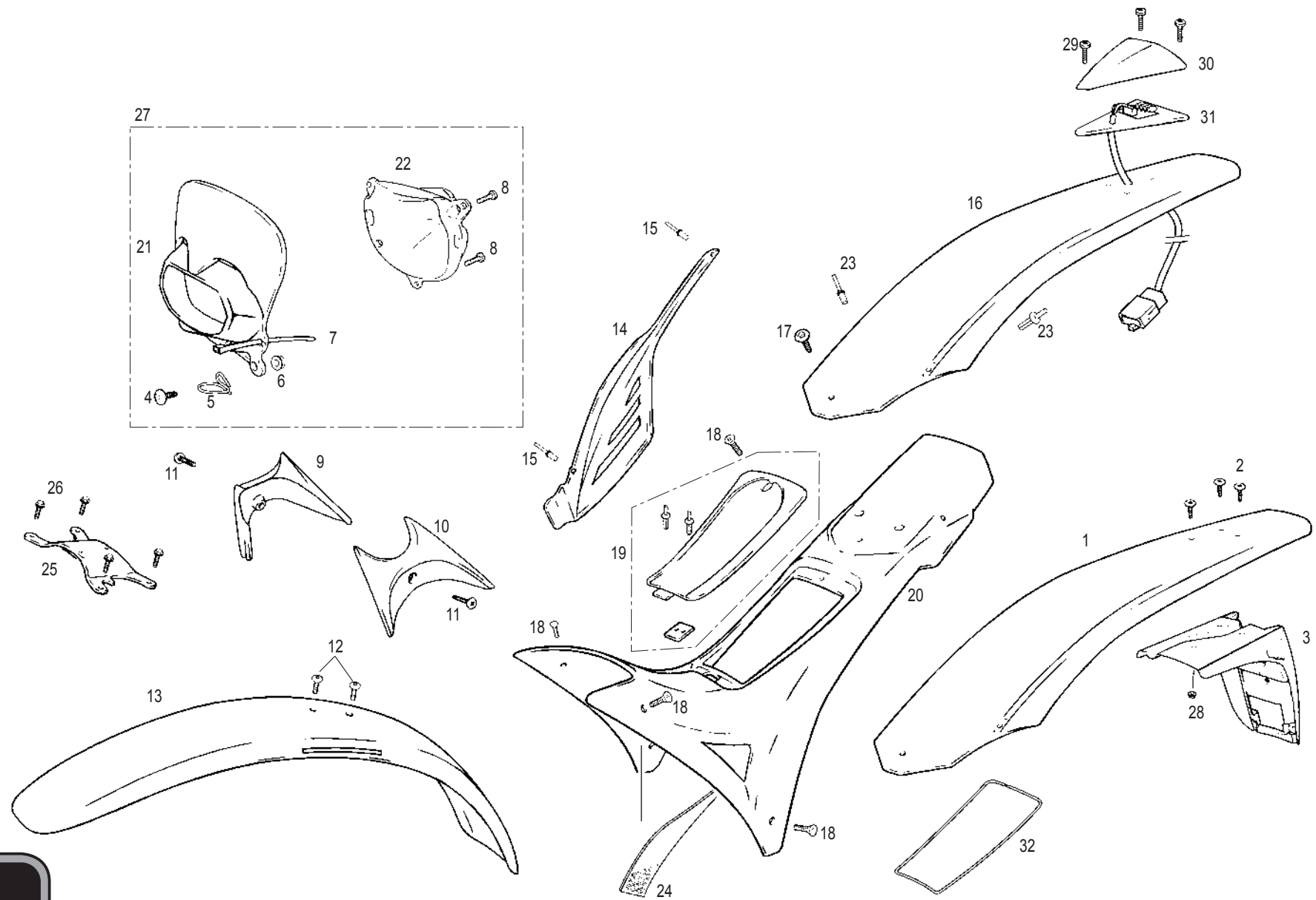
Rueda delantera
/ Front wheel

GAS GAS

TXT ROOKIE 05

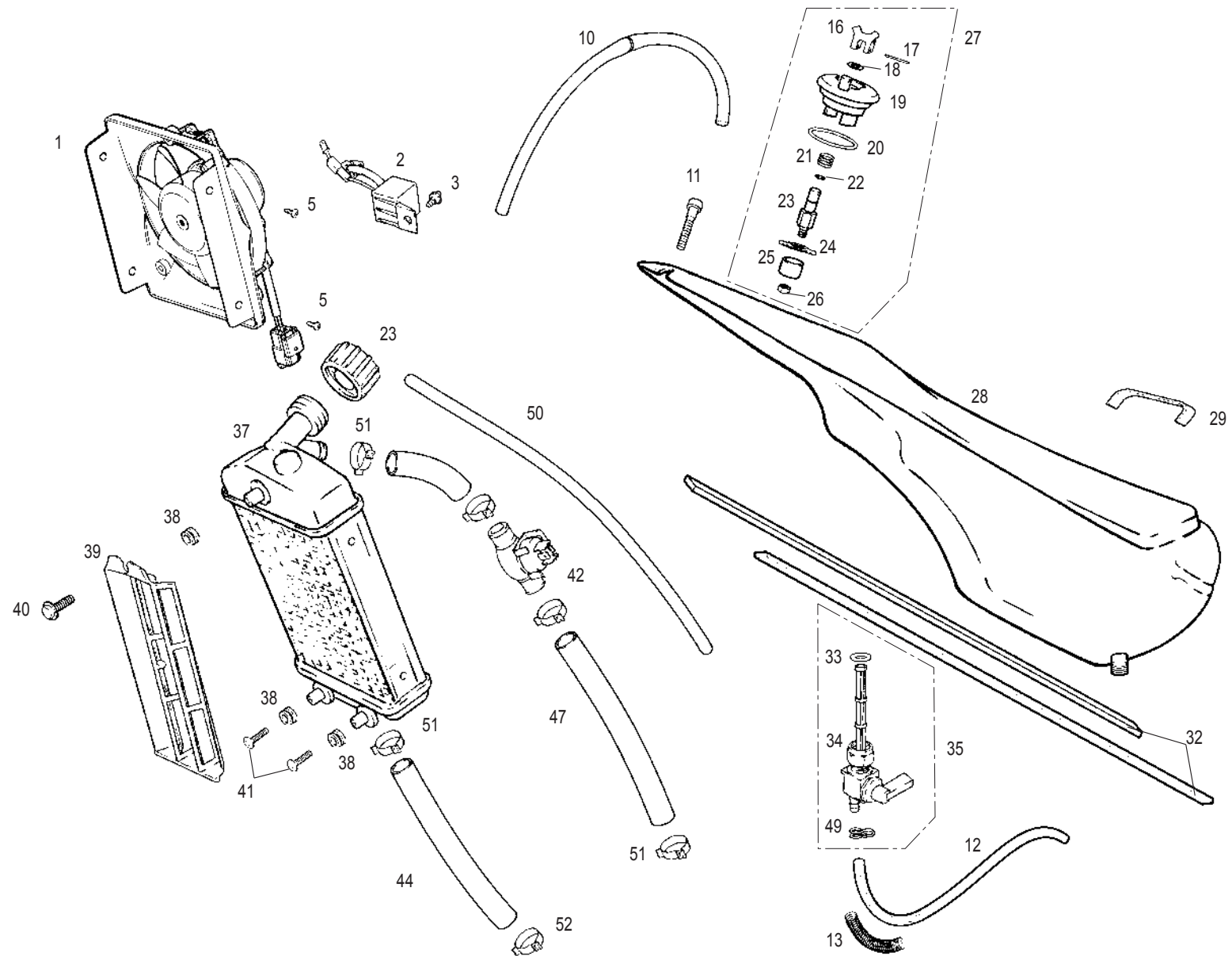


Nº	DESCRIPCIÓN / DESCRIPTION	TXT ROOKIE 05	Cant.
1	EJE RUEDA DELANTERA TRIAL PRO / FRONT WHEEL AXLE	R550103	1
1A	EJE RUEDA DELANTERA TRIAL PRO 2004 / TRIAL PRO 2004 FRONT WHEEL AXLE	-	1
2	COJINETE / BEARING	C160001	2
3	CUBIERTA DELANTERA 2.75X21 / 2.75X21 FRONT TYRE	N140000	1
4	GOMA PROTECTOR R14025 2.75X21 REF. 554350 / R14025 2.75X21 REF. 554350 FRONT FLAP TYRE	N100000	1
5	CÁMARA DELANTERA 2.75X21 REF. 450905 / 2.75X21 REF. 450905 FRONT TUBE	N120000	1
6	RUEDA DELANTERA TRIAL PRO / TRIAL PRO FRONT WHEEL	BT280318000	1
7	CUBO RUEDA DELANTERA TRIAL / TRIAL FRONT HUB WHEEL	BRT500118007	1
8	TUERCA RADIOS 3MM. RUEDA DELANTERA DIA. 6.5 / SPOKE NUT	BT27718001	32
9	RADIO 3X257 RUEDA DELANTERA TRIAL / FRONT WHEEL SPOKE	BRT500118008	16
10	RADIO 3X254 RUEDA DELANTERA TRIAL / FRONT WHEEL SPOKE	BRT500118009	16
11	AGARRE CUBIERTA / TYRE CLAMP	R120000	1
12	TUERCA CON ARANDELA ESTRIADA M8 ZINCADA / M8 NUT WITH WASHER	BE25818060	1
13	DISTANCIADOR RUEDA DELANTERA / FRONT WHEEL SPACER	BRT500118018	1
14	TORNILLO EJE RUEDA DEL. TRIAL PRO 2004 / FRONT WHEEL AXLE SCREW	-	1
15	DISCO FRENO DELANTERO / FRONT BRAKE DISK	BT280322011	1
16	PINZA FRENO DELANTERO / FRONT BRAKE PADS	BT280222000	1
17	HEXAGONAL M8 CON ARANDELA / M8 HEXAGONAL SCREW WITH WASHER	T0208007	4
18	PROTECTOR DISCO FRENO / FRONT BRAKE DISK PROTECTOR	BT280420045	1
19	TORNILLO PINZA FRENO DELANTERA INFERIOR 8X1.25X36.5 / SCREW	BT280022071	1
20	TORNILLO PINZA FRENO DELANTERA SUPERIOR 8X1.25X62.5 / SCREW	BT280022070	1
21	CTO. FRENO DELANTERO TRIAL / FRONT BRAKE SET	BT280222108	1
22	PLANCHA PROTECCIÓN PASTILLAS FRENO / BRAKE PAD PROTECTOR	BT280222213	1
23	PASTILLA FRENO DELANTERA 229.99102 / FRONT BRAKE PAD	BT280222065	2
24	LATIGUILLO FRENO DELANTERO 2000 / FRONT BRAKE TUBE	BT280222002	1
25	TORNILLO LATERAL BOMBA FRENO TRAS. / HOSE SCREW	BT27722212	1
26	ARANDELA PLANA COBRE 10.25X14X1.4 / 10.25X14X1.4 WASHER	BT27922072	2
27	KIT REPARACION PINZA FRENO DEL. / FRONT BRAKE CALIPER SET	BT280222201	1
28	CHAVETA SUJECCIÓN PASTILLA FRENO / FRONT BRAKE PAD KEY	R250000	1
29	LLANTA DELANTERA / FRONT WHEEL RIM	BRT500118006	1
30	TORNILLO SUJECCION PASTILLAS / BRAKE PADS SCREW	BT280222006	1

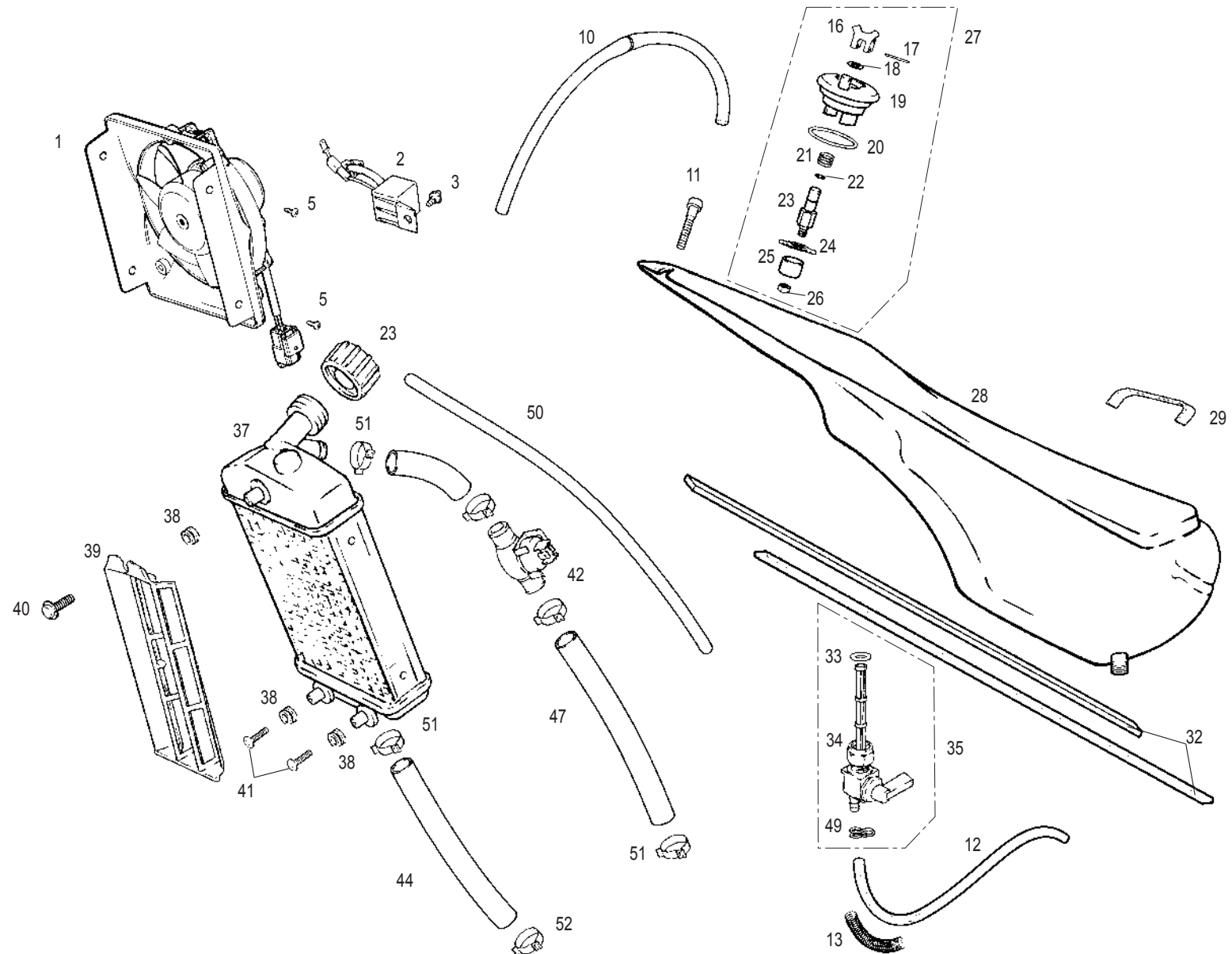


Nº	DESCRIPCIÓN / DESCRIPTION	TXT ROOKIE H	TXT ROOKIE	Cant.
1	GUARDABARROS TRAS. TRIAL 2004 / TRIAL 2004 REAR FENDER	BT280520007H	-	1
2	TORNILLO PHILIPS 6X25 / 6X25 PHILIPS SCREW	T0506016N	-	3
3	PORTAMATRICULAS TRIAL HOMOLOGADO / TRIAL PLATE SUPPORT	BT280520003	-	1
4	ULS 6X12 TOPE FRENO / 6X12 ULS SCREW	T0556014	-	2
5	GANCHO INOXIDABLE / RUSTLESS HOOK	M130000	-	1
6	TUERCA CON ARANDELA M6 / M6 NUT WITH WASHER	T2206000	-	2
7	BRIDA UNEX / UNEX CLAMP	BE25634007	-	2
8	TORNILLO ROSCA CHAPA 3X9 / 3X9 SCREW	T1003009	-	4
9	PROTECTOR RADIADOR DERECHO / RIGHT RADIATOR COVER	BT280520012	-	1
10	PROTECTOR RADIADOR IZQUIERDO / LEFT RADIATOR COVER	BT280520013	-	1
11	TORNILLO ROSCA CHAPA 3,9X19 NEGRO / 3,9X19 BLACK SCREW	T259349	-	2
12	ULS 5X8 / 5X8 ULS SCREW	T0505008	-	2
13	GUARDABARROS DELANTERO TRIAL 2005 / TRIAL 2005 FRONT FENDER	BT280520006	-	1
14	PROTECTOR ESCAPE TRIAL 2002 / EXHAUST PROTECTOR	BT280226021	-	1
15	REMACHE ALUMINIO 4X12 CABOTA NEGRA / ALUMINIUM RIVET	T4504012N	-	2
16	GUARDABARROS TRAS. TRIAL 2005 / TRIAL 2005 REAR FENDER	BT280520007	-	1
17	ULS 6X16 CON ARANDELA NEGRO / 6X16 BLACK ULS WITH WASHER	T0556016N	-	1
18	TORNILLO CONICO 6X16 NEGRO / BLACK 6X16 CONIC SCREW	T0406016N	-	5
19	TAPA CAJA FILTRO TRIAL PRO 2005 / TRIAL PRO 2005 FILTER BOX COVER	BT280528010RO	-	1
20	BASE ASIENTO TRIAL 2005 / TRIAL 2005 SEAT STRUCTURE	BT280528001RO	-	1
21	FARO DELANTERO TRIAL 2005 / TRIAL 2005 FRONT HEADLIGHT	BT280520020	-	1
22	PORTALAMPARAS HOMOLOGADO / GUIDE PILOT OPTIC	BT280120022	-	1
23	REMACHE PLASTICO NEGRO GUARDAB. TRAS. / PLASTIC RIVET	T4503270	-	2
24	ADH. PROTECTOR ESCAPE AMIANTO / EXHAUST PROTECTOR STICKER	BT280238059	-	1
25	PUENTE HORQUILLA DELANTERA / FRONT SUSPENSION UNION	BT280110055	-	1
26	TORNILLO ESPECIAL 6X14 / 6X14 SPECIAL SCREW	T0206014	-	4
27	CTO. FARO HOMOLOGADO / HOMOLOGATED HEADLIGHT SET	BT280520020HCT	BRT050520020	1
28	TUERCA AUTOBLOCANTE M6 C/ARAND / M6 SELF-LOCKING NUT	T2206002	-	3
29	TORNILLO ROSCA-CHAPA 4X16 PHILIPS / 4X16 PHILIPS SCREW	T0603513	-	3
30	FARO PILOTO TRASERO TRIAL / REAR LIGHT	BT27934015	-	1
31	LAMPARA LEDS / ELECTRONIC LEDS LAMP	-	-	1
32	TUBO FLEXIBLE SILICONA BASE ASIENTO / SEAT BASE SILICON HOSE	BT280236042	-	1

Nº	DESCRIPCIÓN / DESCRIPTION	ROJO / RED	Cant.
1	ADH. SIN PLOMO / UNLEADED FUEL ONLY STICKER	PU000138002	1
2	ADH. USO ACEITE GRO / USE GRO OIL ONLY STICKER	PU000438001	1
3	ADH. STARTER / STARTER STICKER	PU000338002	1
4	ADH. BASCULANTE LADO DERECHO / RIGHT SWINGARM STICKER	BRT070538005	1
5	ADH. BASCULANTE LADO IZQUIERDO / LEFT SWINGARM STICKER	BRT070538006	1
6	ADH. TAPA FILTRO / AIR FILTER COVER STICKER	BT280538038	1
7	ADH. IZQUIERDO TAPA FILTRO / LEFT AIR FILTER COVER STICKER	BT280538036	1
8	ADH. DERECHO TAPA FILTRO / RIGHT AIR FILTER COVER STICKER	BT280538037	1
10	ADH. GUARDABARROS TRASERO / REAR FERNDER STICKER	BT280438032	1
11	ADH. BASE ASIENTO / BASE SEAT STICKER	BT280438034	1
12	ADH. SILLIN / SEAT STICKER	BT280510015	1
13	ADH. DEPOSITO / FUEL TRANK STICKER	BT070538022	1
14	ADH. HORQUILLA PUBLICIDAD DERECHA / RIGHT FRONT FORK STICKER	BT280438043	1
15	ADH. HORQUILLA PUBLICIDAD IZQUIERDA / LEFT FRONT FORK STICKER	BT280438042	1
16	ADH. PROTECTOR DERECHO RADIADOR / RADIATOR RIGHT PROT. STICKER	BT280538002	1
17	ADH. PROTECTOR IZQUIERDO RADIADOR / RADIATOR LEFT PROT. STICKER	BT280538052	1
18	ADH. BASE ASIENTO IZQUIERDO 50 SILICONA / LEFT BASE SEAT STICKER	BT050538031	1
18A	ADH. BASE ASIENTO IZQUIERDO 70 SILICONA / LEFT BASE SEAT STICKER	BT070538031	1
18B	ADH. BASE ASIENTO IZQUIERDO 250 SILICONA / LEFT BASE SEAT STICKER	-	1
18C	ADH. BASE ASIENTO IZQUIERDO 280 SILICONA / LEFT BASE SEAT STICKER	-	1
18D	ADH. BASE ASIENTO IZQUIERDO 300 SILICONA / LEFT BASE SEAT STICKER	-	1
19	ADH. FARO TRIAL / HEAD LIGHT STICKER	BT280538001	1
20	ADH. GUARDABARROS DEL. TRIAL / FRONT FENDER STICKER	BT280538027	1
22	ADH. BASE ASIENTO DERECHO 50 SILICONA / RIGHT BASE SEAT STICKER	BT05053830	1
22A	ADH. BASE ASIENTO DERECHO 70 SILICONA / RIGHT BASE SEAT STICKER	BT07053830	1
22B	ADH. BASE ASIENTO DERECHO 250 SILICONA / RIGHT BASE SEAT STICKER	-	1
22C	ADH. BASE ASIENTO DERECHO 280 SILICONA / RIGHT BASE SEAT STICKER	-	1
22D	ADH. BASE ASIENTO DERECHO 300 SILICONA / RIGHT BASE SEAT STICKER	-	1
24	ADH. CHASIS TRIAL / TRIAL FRAME STICKER	BT280238021	2
25	ADH. PROT. LATERAL IZQUIERDO CHASIS TRIAL / FRAME LEFT PROT. STICKER	BT280220031	1
26	ADH. PROT. LATERAL DERECHO CHASIS TRIAL / FRAME RIGHT PROT. STICKER	BT280220030	1

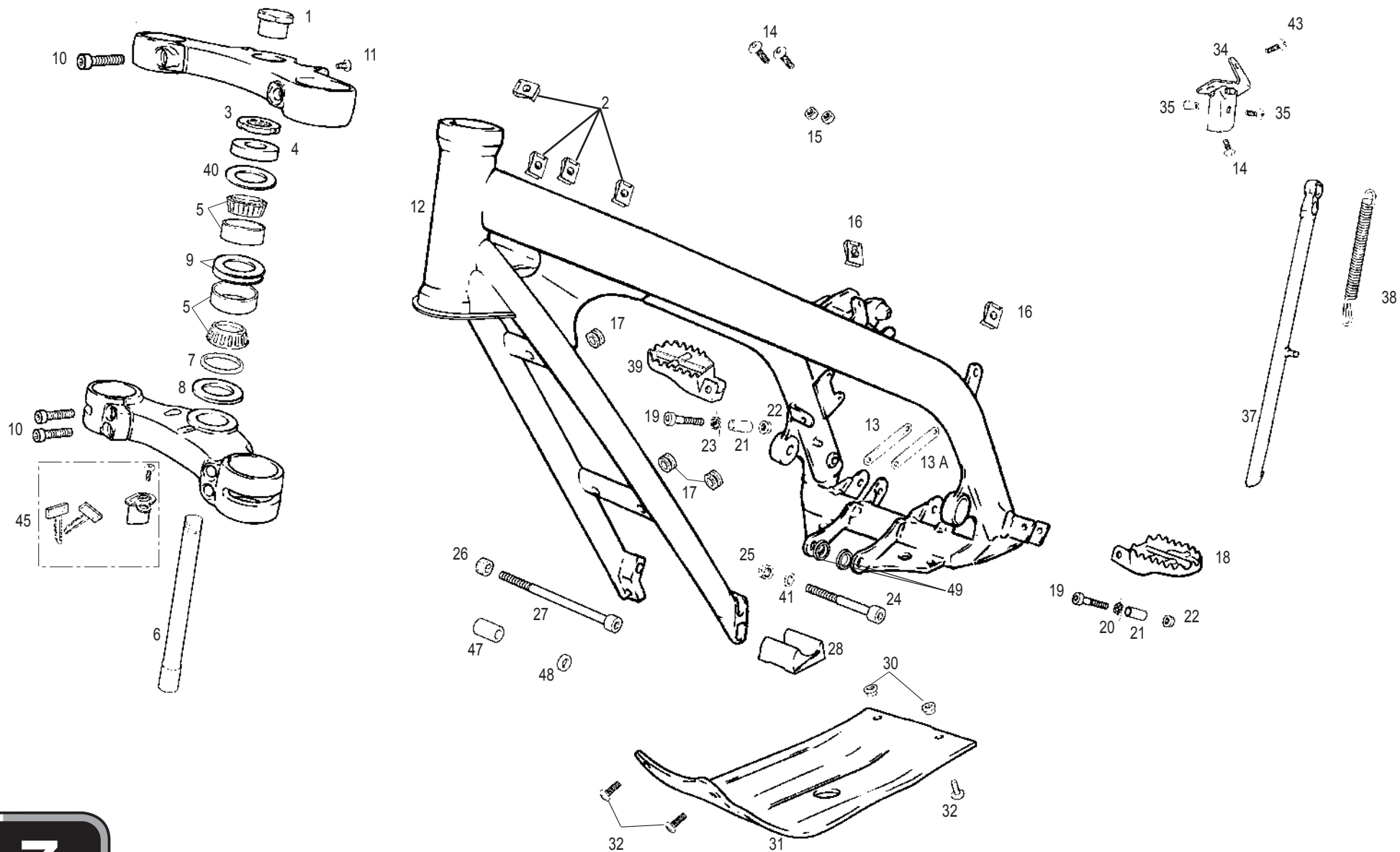


Nº	DESCRIPCIÓN / DESCRIPTION	TXT ROOKIE 05	Cant.
1	VENTILADOR F14 / FUN F-14	BFS450332340	1
2	MODULO VENTILADOR / FUN MODULE	L300021	1
2A	CONECTOR 3 VÍAS / 3 WAYS PLUG	L300006	1
3	TORNILLO ROSCA CHAPA CON ARANDELA / SCREW THREAD WITH WASHER	T0604210	1
5	TORNILLO ROSCA CHAPA 3X9 / 3X9 SCREW THREAD	T1003919	4
10	TUBO DESVAPORIZADOR DEPÓSITO 41 CM / TANK TUBE 41 CM LONG	BT280310018	1
11	ULS 6X35 / 6X35 ULS	T0506035	1
12	TUBO GASOLINA TRIAL / FUEL HOSE	BT280236004	1
13	MUELLE PROTECCION TUBO GASOLINA / FUEL HOSE PROTECTION SPRING	BE25910068	1
16	CIERRE TAPÓN DEPÓSITO / CLOSE PLUG TANK	BT280410088	1
17	PASADOR CIERRE TAPÓN / PIN CLOSE PLUG	BT27710094	1
18	ARANDELA ANTIDESGASTE CERRADURA / WASHER UNWEAR CLOSE	BT27710095	1
19	CUERPO TAPÓN DEPÓSITO / EXT. BODY PLUG TANK	BT280410089	1
20	TÓRICA CIERRE 29X3 NBR / 29X3 CLOSE O'RING	BT27810097	1
21	MUELLE TAPÓN DEPÓSITO / SPRING PLUG TANK	BT27910102	1
22	TÓRICA EJE TAPÓN 5X1 NBR / 5X1 O'RING AXLE PLUG	BT27810098	1
23	EJE TAPÓN DEPÓSITO / AXLE PLUG TANK	BT27910092	1
24	BAIONETA TAPÓN DEPÓSITO / BAYONET PLUG TANK	BT27910101	1
25	APRETADOR TAPÓN GASOLINA / O'RING PRESS PLUG TANK	BT27910090	1
26	TUERCA AUTOBLOCANTE M5 / M5 SELF-LOCKING	T2105001	1
27	CTO. TAPÓN GASOLINA / CPT. PLUG FUEL-PETROL	BT280420010	1
28	DEPÓSITO TRIAL ROOKIE / TRIAL ROOKIE TANK	BRT070410024	1
29	JUNTA ADHESIVA DEPÓSITO 125X10 / 125X10 STICKER TANK GASKET	BT280038018	1
32	JUNTA ADHESIVA DEPÓSITO CHASIS 38X1 / 38X1 STICKER TANK GASKET FRAME	BT27838018	2
33	ARANDELA GRIFO DEPÓSITO / WASHER TANK TAP	BT27910131	1
34	TUERCA GRIFO DEPÓSITO / NUT TANK TAP	BT27910132	1
35	GRIFO GASOLINA C/90 / C/90 TAP FUEL-PATROL	BT27810031	1
36	TAPÓN RADIADOR TP50806 TRIAL 2202 / TP50806 TRIAL 2202 RADIATOR CAP	BT280232032	1
37	CTO. RADIADOR TRIAL 2004 / 2004 RADIATOR	BT280432000	1
38	GOMAS RADIADOR A CHASIS / RADIATOR TUBE TO FRAME	G220000	3
39	REJILLA RADIADOR TRIAL 2002 / TRIAL 2002 RADIATOR GRILL	BT280220001	1
40	ALLEN 6X14 / 6X14 ALLEN BOLT	T0306014	1
41	ULS 6X10 CON ARANDELA / 6X10 ULS BOLT WITH WASHER	T0556010	2
42	TERMO CONTACTO / TERMO-CONTACT	M01020003	1
43	ABRAZADERA COBRA 21 / 21 COBRA CLAMP	L200046	2
44	TUBO INFERIOR RADIADOR-BOMBA AGUA / RADIATOR-WATER PUMP LOWER TUBE	BRT500132003	1

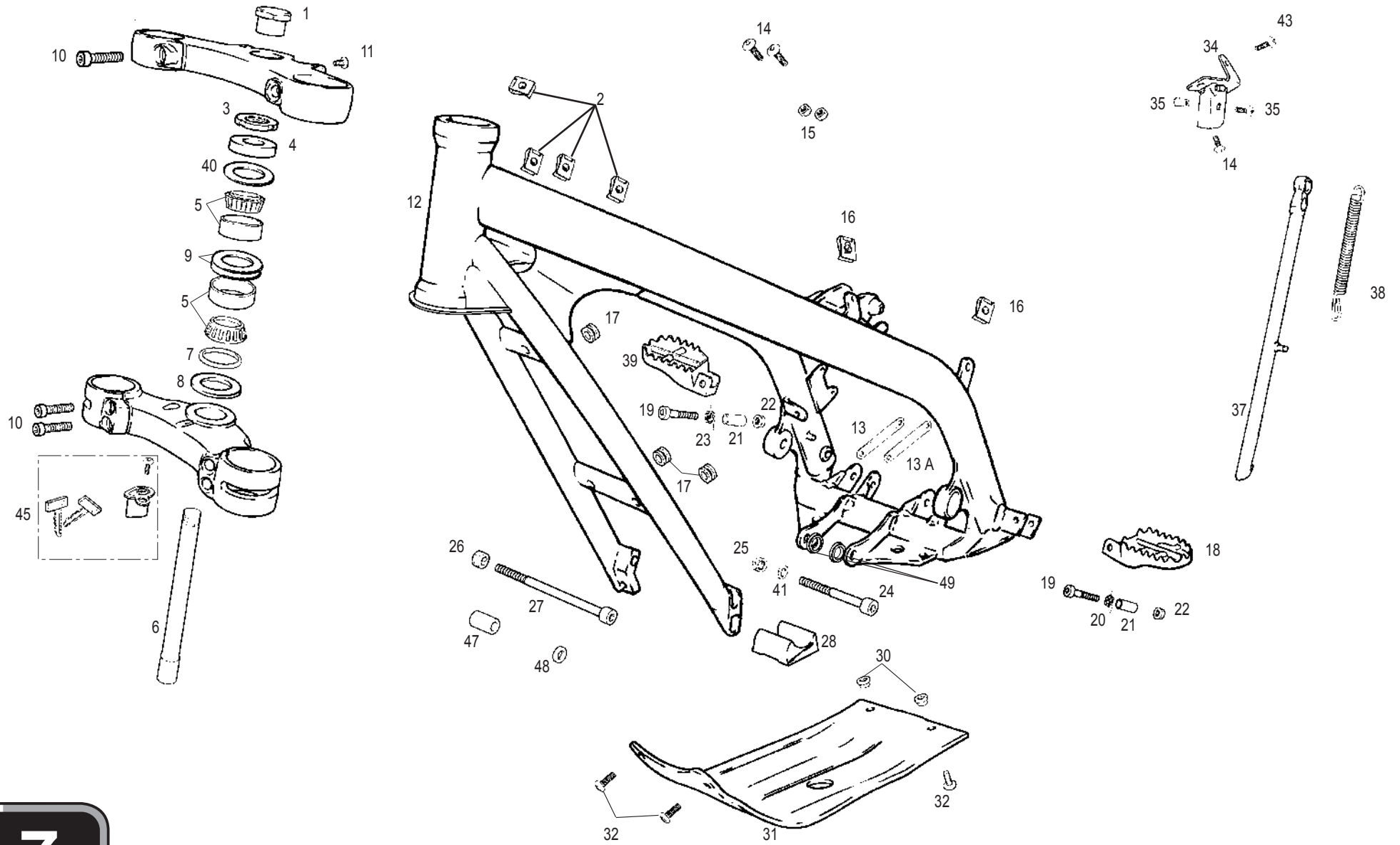


Nº	DESCRIPCIÓN / DESCRIPTION	TXT ROOKIE 05	Cant.
47	TUBO SUPERIOR RADIADOR-CULATA / RADIATOR-CYL. HEAD UPPER TUBE	BRT050232002	1
49	ABRAZADERA DE MUELLE / SPRING CLAMP	BT27710120	1
50	TUBO SOBRENTE RADIADOR 5X8 (12 cm.) / RADIATOR EXCESS TUBE HOSE	BE25620011	1
51	ABRAZADERA 20X32X9 / 20X32X9 CLAMP	L200044	1
52	ABRAZADERA COBRA 22 / 22 COBRA CLAMP	L200038	1

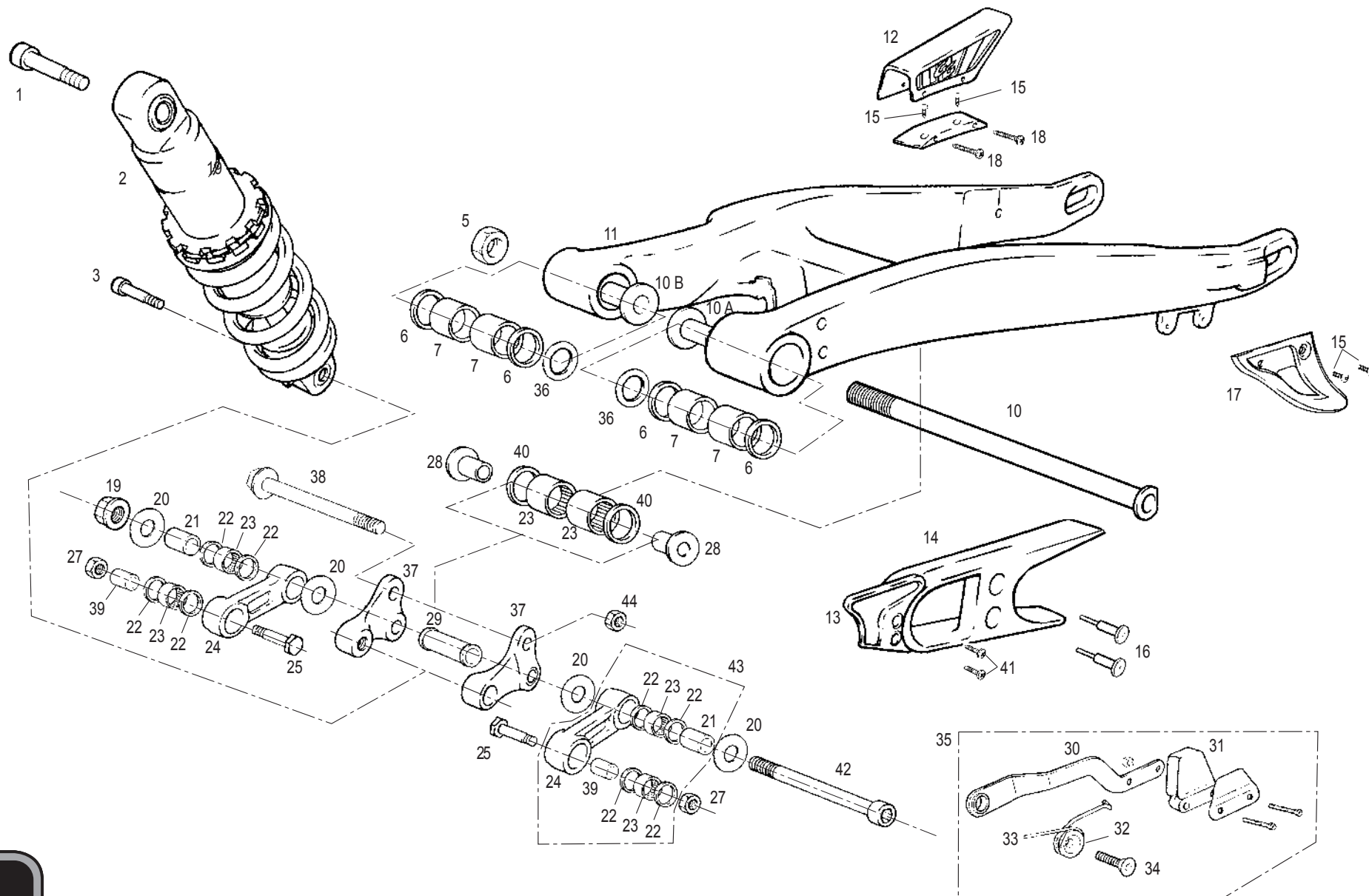




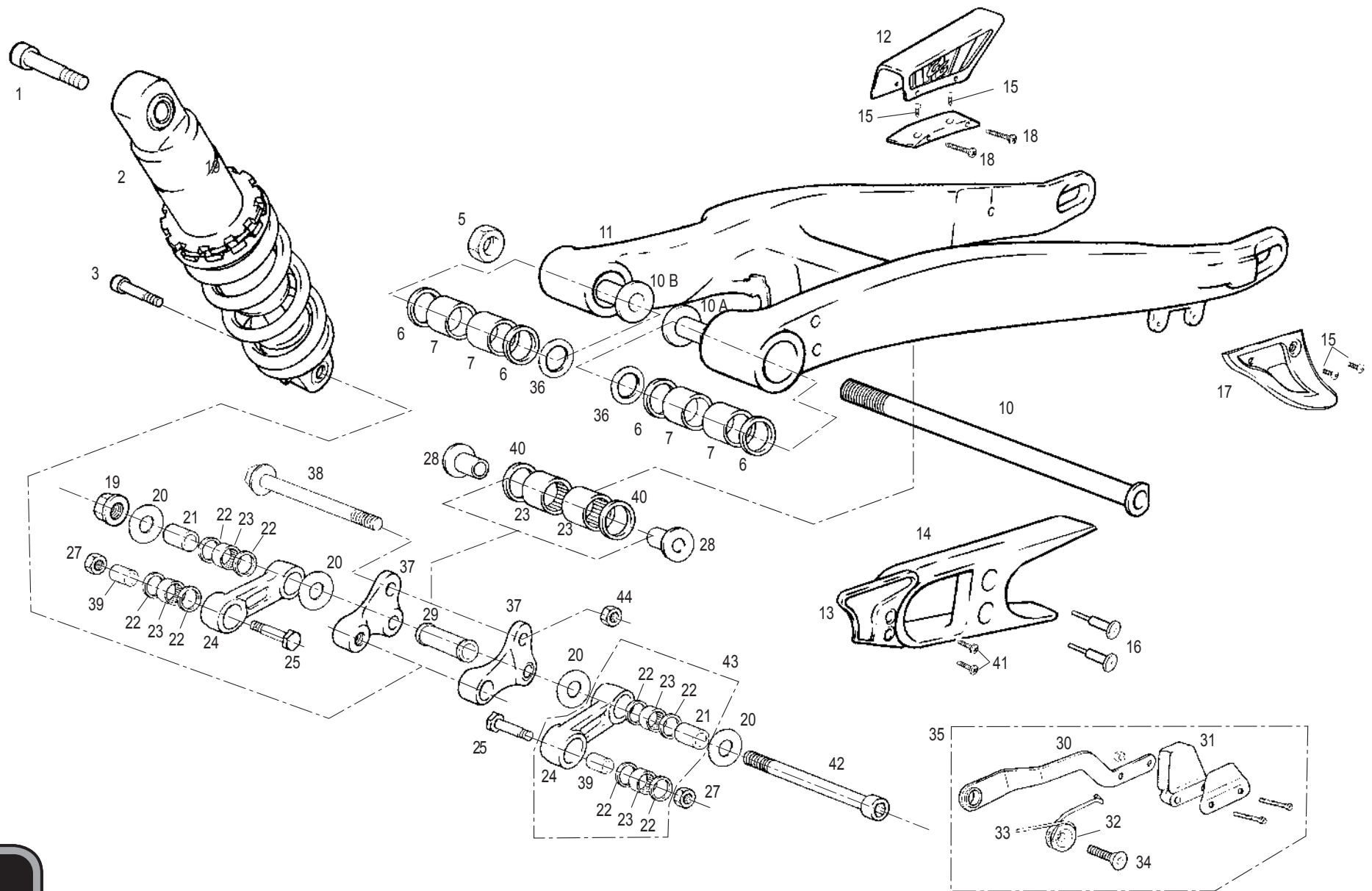
Nº	DESCRIPCIÓN / DESCRIPTION	TXT ROOKIE 05	Cant.
1	TUERCA SUPERIOR DIRECCIÓN TRIAL 2002 / NUT TOP STEERING AXLE	BT280210030	1
2	TUERCA NUT 956 RAPIDA M6 / M6 FAST NUT	T2606000	4
3	TUERCA INFERIOR DIRECCIÓN TRIAL 2002 / NUT UNDER TOP CLAMP	BT280210029	1
4	GUARDAPOLVO COJINETES DIRECCIÓN / BEARING STEERING DUST COVER	BEP250210026	1
5	COJINETE DIRECCIÓN URBXA 32004 / BEARING STEERING	BT280210008	2
6	EJE DIRECCIÓN TRIAL 2002 / AXLE STEERING	BT280214003	1
7	TÓRICA DIRECCIÓN 37X2,5 ENDUPAMP 250 / O'RING STEERING	BEP250210012	1
8	ARANDELA REGLAJE BLANCA / WHITE WASHER	BT280210026	1
9	VOLANDERA 36X42X0.5 / 36X42X0.5 WASHER	T4003642	2
10	ALLEN 8X30 / 8X30 ALLEN BOLT	T0308030	6
11	ULS 6X10 DIRECCIÓN / STEERING 6X10 ULS	T0506010	1
12	CHASIS TRIAL 2003 / 2003 TRIAL FRAME	BRT050410000/2	1
13	TIRANTE CILINDRO CON SOPORTE / BRACE CYLINDER WITH SUPPORT	BRT050410050	1
13A	TIRANTE CILINDRO SIN SOPORTE / BRACE CYLINDER WITHOUT SUPPORT	BRT050310050	1
14	ULS 8X20 / 8X20 ULS	T0508020	5
15	TUERCA AUTOBLOCANTE M-8 ALTA / HIGH M8 SELF-LOCKING NUT	T2108002	4
16	TUERCA M6 REMACHABLE TRIAL PRO 2005 / TRIAL PRO 2005 M6 REVITABLE NUT	BT280410070	4
17	GOMAS RADIADOR A CHASIS / RADIATOR PROTECTOR RUBBER	G220000	3
18	ESTRIBO IZQUIERDO 99 / 99 LEFT FOOTSTEP	BT27910003	1
19	ALLEN 8X45 ESTRIBO / 8X45 ALLEN SCREW	T0308045	2
20	MUELLE ESTRIBO IZQUIERDO / LEFT FOOTSTEP SPRING	M100004	1
21	CASQUILLO ESTRIBO TRIAL-99 / BUSH FOOTSTEP	BT27910006	2
22	TUERCA AUTOBLOCANTE M8 ALTA (DIN 982) / (DIN 982) HIGH M-8 NYLOCK NUT	T2108002	2
23	MUELLE ESTRIBO DERECHO / SPRING FOOTSTEP RIGHT	M100003	1
24	ALLEN 10X85 / 10X85 ALLEN BOLT	T0310122	1
25	TUERCA AUTOBLOCANTE M10 BAJA / M10 NYLOCK NUT	T2110002	1
26	TUERCA ESPECIAL M10 / M10 SPECIAL NUT	T0308120/2	1
27	ALLEN M10X140 ZINCADO 12.9 / M10X140 SCREW BOLT ALLEN	T2108002	1
28	GOMA PROTECTOR TRASERO MOTOR / REAR ENGINE PROT. RUBBER	BRT500136029	1
30	TUERCA AUTOBLOCANTE M8 BAJA / M8 NYLOCK NUT	-	1
31	PLACA PROTECCIÓN MOTOR / TRIAL ENGINE PROTECTOR PLATE	T2108001	2
32	ULS 8X16 / 8X16 ULS	BRT500110005	1
34	SOPORTE CABALLETE TRIAL 2000 / SIDE STAND BRACKET SUPPORT	T0508016	4
35	CASQUILLO GUÍA CABALLETE TRIAL / BUSH, PIVOT SIDE STAND	BT280012023	1
36	ALLEN 8X14 / 8X14 ALLEN BOLT	BT27712011	1
37	CABALLETE TRIAL 99 / SIDE STAND BRACKET	T0308014	1
38	MUELLE CABALLETE / SIDE STAND SPRING	BT27912010	1



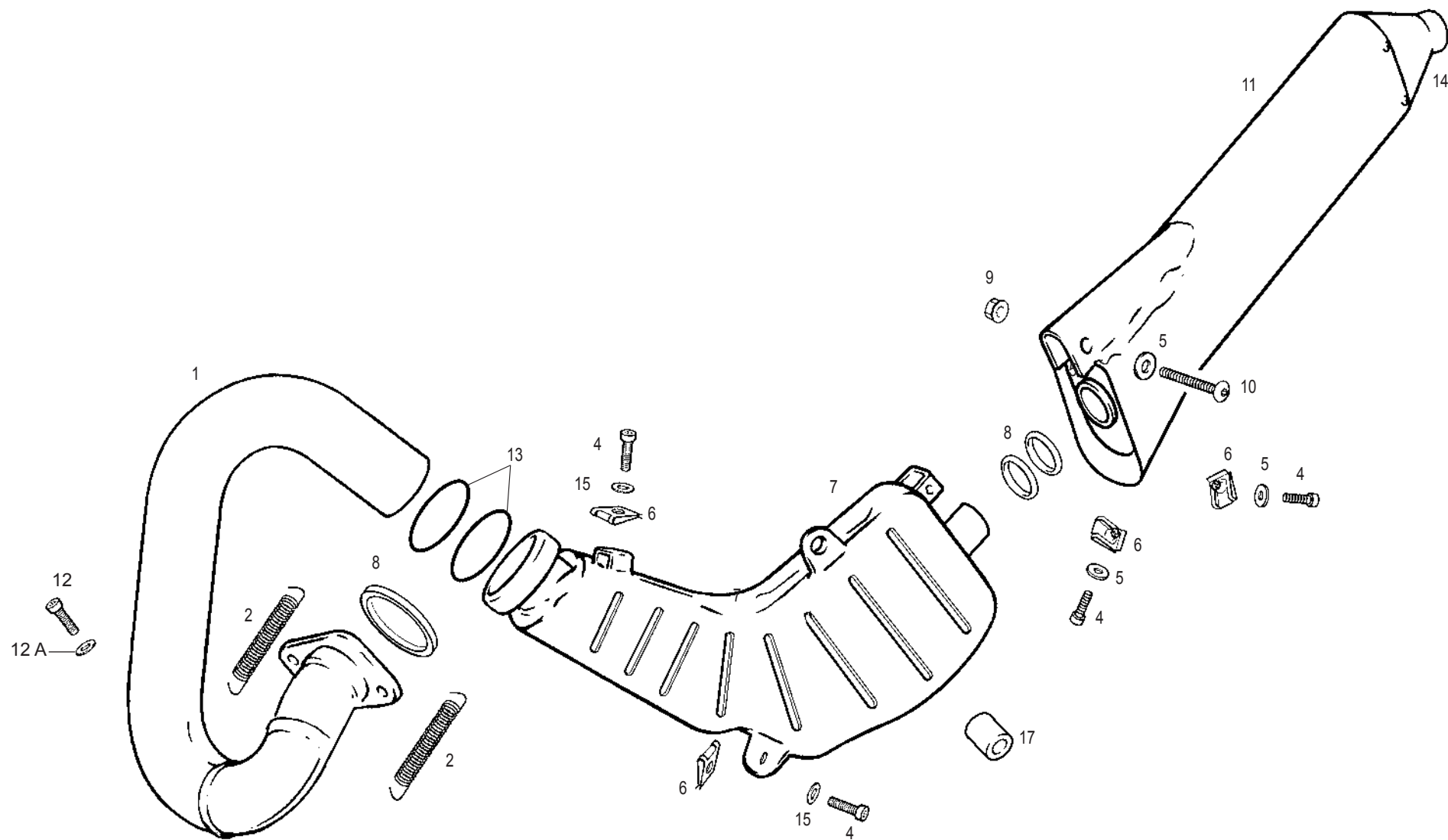
N°	DESCRIPCIÓN / DESCRIPTION	TXT ROOKIE 05	Cant.
39	ESTRIBO DERECHO 99 / <i>FOOTSTEP, RIGHT</i>	BT280310039H	1
40	ARANDELA 22.4X36X0.7 REGLAJE / <i>22.4X36X0.7 REGULATE WASHER</i>	BT27910002	1
41	ARANDELA GLOBER 10X15 / <i>GLOBER WASHER</i>	T4022036	2
42	GOMA PROTECCIÓN CAJA-CHASIS CORTA TRIAL PRO / <i>SHORT PROTECT RUBBER</i>	T4001015	1
42A	GOMA PROTECCIÓN CAJA-CHASIS LARGA TRIAL PRO / <i>LONG PROTECT RUBBER</i>	-	1
43	HEXAGONAL 6X16 / <i>6X16 HEXAGONAL BOLT</i>	-	1
44	BRIDA UNEX 2244 4.8X36 / <i>4.8X36 BLACK CLAMP</i>	T0106016	1
45	CTO. BLOQUEO CLAUSOR / <i>LOCKING CLAUSOR SET</i>	-	1
46	BRIDA UNEX 2244 4.8X20 / <i>4.8X20 BLACK CLAMP</i>	BT280210075	1
47	CASQUILLO SOPORTE MOTOR DERECHO / <i>RIGHT MOTOR SUPPORT BUSHING</i>	-	1
48	CASQUILLO SOPORTE MOTOR IZQUIERDO / <i>LEFT MOTOR SUPPORT BUSHING</i>	BRT050410065	1
49	CASQUILLO SOPORTE MOTOR POSTERIOR / <i>REAR MOTOR SUPPORT BUSHING</i>	BRT050410066	1
		BIE500110968	2



Nº	DESCRIPCIÓN / DESCRIPTION	TXT ROOKIE 05	Cant.
1	ALLEN 10X55 / 10X55 ALLEN SCREW	T0301055	1
2	AMORTIGUADOR TRIAL / SHOCK ABSORBER	BRT500114004	1
3	TORNILLO ESPECIAL / SPECIAL SCREW	T0310046	1
4	GOMA PROTECCIÓN AMORTIGUADOR TRASERO / REAR SHOCK PROTECTOR	-	1
5	TUERCA EJE BASCULANTE TRIAL / SWING-ARM AXLE NUT	B260001	1
6	RETÉN 20-26-4 870 N BASCULANTE / 20-26-4 OIL SEAL	C220001	4
7	COJINETE / BEARING	BT280212032	4
9	CASQUILLO GUÍA EJE BASCULANTE / SWING-ARM AXLE BUSHING	-	1
10	EJE BASCULANTE TRIAL / SWING-ARM AXLE	BT80012008	1
10A	DISTANCIADOR BASCULANTE / SWING-ARM SPACER	BRT500112007	1
10B	CASQUILLO DISTANCIADOR / SPACER BUSHING	BRT050412108	1
11	BASCULANTE TRIAL 2002 / TRIAL 2002 SWING-ARM	BT280212002	1
12	CUBRECADENAS / CHAIN COVER	BT280428011	1
13	PROTECTOR PIÑÓN TRIAL 2002 / TRIAL 2002 PINION PROTECTOR	BT280236021	1
14	PATÍN CADENA / CHAIN GUIDE	BT280412015	1
15	ULS 5X12 / 5X12 ULS	T0505012	4
16	REMACHE CABOTA GRANDE 14X4 8X21 PATÍN / RIVET	T4505016	2
17	PROTECTOR CORONA TRIAL 2003 / SPROCKET PROTECTOR	BT280320029	1
18	TORNILLO ROSCA CHAPA PHILIPS 4X38 / 4X38 PHILIPS SCREW	T0614838	2
19	TUERCA AUTOBLOCANTE / SELF-LOCKING NUT	T2110001	1
20	ARANDELA REGLAJE 10.5X26X0.5 / 10.5X26X0.5 WASHER	T4001026	4
21	CASQUILLO SUSPENSIÓN DIAM. 10 / SUSPENSION BUSHING	BT27712005	2
22	RETÉN 15X21X2 / 15X21X2 OIL SEAL	C230001	8
23	COJINETE AGUJAS 15BM2116 / 15BM2116 NEEDLE BEARING	BT27714009	6
24	BIELETA ALUMINIO TRIAL 2000 / ALUMINIUM ROD	BT280014008	2
25	TORNILLO ESPECIAL BIELETA 8X38 / 8X38 SPECIAL SCREW	T0118038	2
27	TUERCA AUTOBLOCANTE M8 ALTA / M8 SELF-LOCKING NUT	T2108002	2
28	CASQUILLO BALANCÍN 99 / ARTICULATION BUSHING	BT27914014	2
29	CASQUILLO DISTANCIADOR BALANCÍN / ARTICULATION SPACER BUSHING	BT27914016	1
30	BRAZO TENSOR CADENA / TENSIONER CHAIN ARM	B520102	1
31	GOMA TENSOR CADENA / TENSIONER CHAIN RUBBER	G180010	1
32	CASQUILLO TENSOR CADENA / CHAIN TENSIONER BUSHING	B560000	1
33	MUELLE TENSOR CADENA / CHAIN TENSIONER SPRING	M122000	1
34	ALLEN CONICO 8X30 TENSOR CADENA / 8X30 CONIC ALLEN	T0408030	1
35	CTO. TENSOR CADENA TRIAL / TRIAL CHAIN TENSIONER ASSY	BT280410078	1
36	ARANDELA BASCULANTE TRIAL 2002 / TRIAL 2002 SWING-ARM WASHER	BT280212007	2
37	CTO. BALANCÍN TRIAL 2000 / TRIAL 2000 ROCKER-ARM SET	BT280014005CT	1



Nº	DESCRIPCIÓN / DESCRIPTION	TXT ROOKIE 05	Cant.
38	TORNILLO ESPECIAL M10X80X1.25 12.9 / <i>M10X80X1.25 SCREW</i>	T0210080	1
39	CASQUILLO SUSPENSIÓN DIAM.8 / <i>DIAM. 8 SUSPENSION BUSHING</i>	BT27712014	2
40	RETÉN 15-21-3-8170N BASC. BAL. / <i>15-21-3-8170N OIL SEAL</i>	C230000	2
41	TORNILLO ROSCA-CHAPA 4.2X12 / <i>4,2X12 SCREW</i>	T259349	2
42	ALLEN M10X120 / <i>M10X120 ALLEN</i>	T0310121	1
43	BIELETA ALUMINIO TRIAL COMPLETA / <i>TRIAL ALUMINIUM ROD SET</i>	BT280014008CT	2
44	TUERCA M10 / <i>M10 NUT</i>	T3110002	1
45	CASQUILLO BASCULANTE / <i>SWING-ARM BUSHING</i>	B220002	2



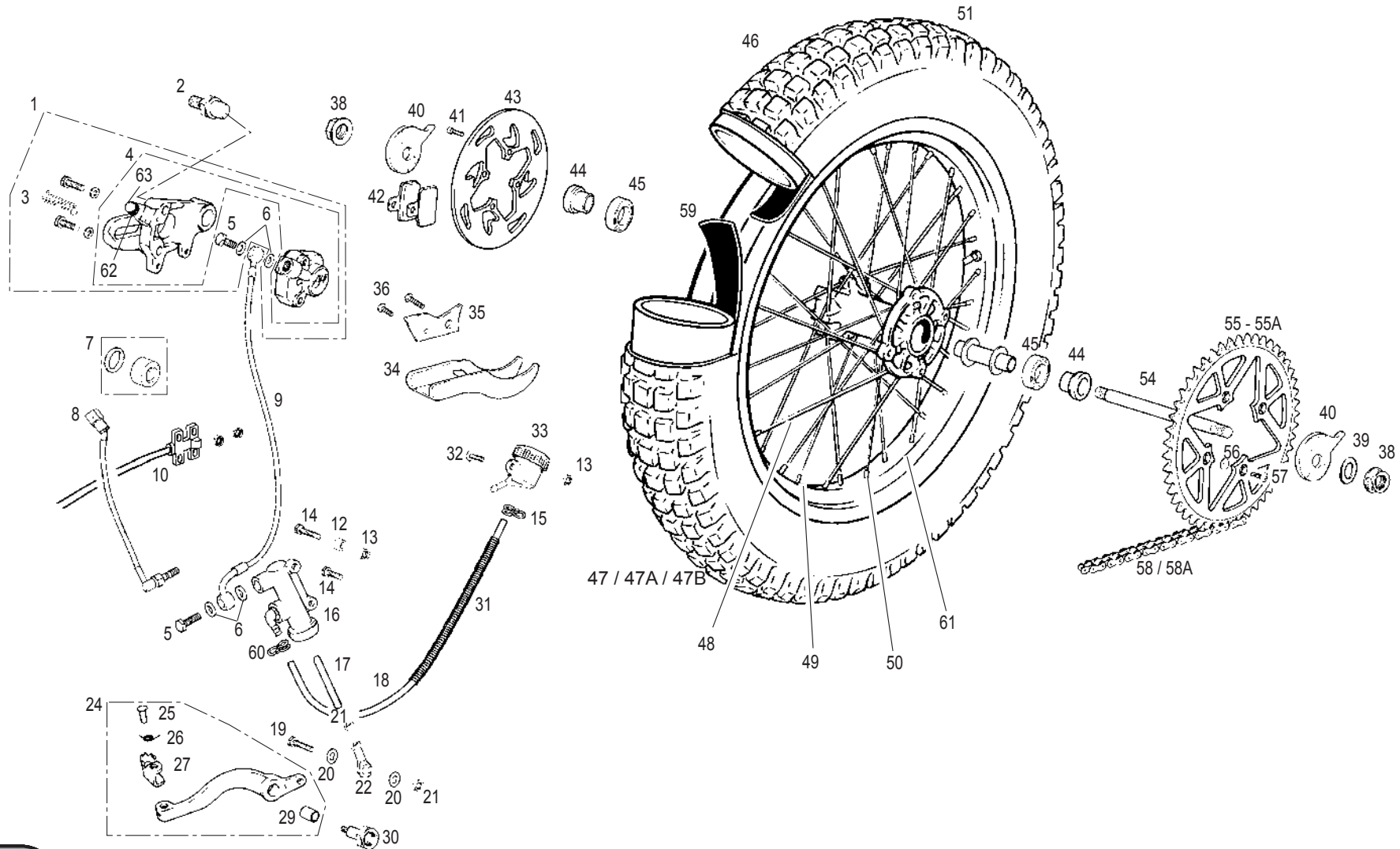
Nº	DESCRIPCIÓN / DESCRIPTION	TXT ROOKIE 05	Cant.
1	CURVA ESCAPE TRIAL SXXI / EXHAUST	BT050526001	1
2	MUELLE ESCAPE / EXHAUST SPRING	BE25610042	2
4	ALLEN 6X14 / 6X14 ALLEN	T0306014	2
5	ARANDELA PLANA 6.5X16X1.5 / 6.5X16X1,5 LOWER WASHER	T4006016	1
6	GRAPA M6 NUT / M6 CAGE NUT	T2606000	2
7	SILENCIOSO INTERMEDIO TRIAL 280 2003 / TRIAL 280 2003 MIDDLE SILENCER	-	1
8	TÓRICA ESCAPE / EXHAUST O'RING	C280002	3
9	TUERCA CON ARANDELA M6 / M6 FLANGE NUT	T2206000	1
10	ULS 6X40 / 6X40 ULS	T0506040	1
11	SILENCIOSO FINAL TRIAL / TRIAL FINAL SILENCER	BT280326002	1
12	TORNILLO ALLEN 6X14 / 6X14 ALLEN	T0306014	1
12A	ARANDELA 6X12X1,5 / 6X12X1,5 WASHER	T4006012	1
13	TÓRICA SILENCIOSO INTERMEDIO 44,05X3,53 / O'RING INT. SILENCER	BIE500126003	2
14	CAZOLETA SILENCIOSO FINAL / FINAL EXHAUST COVER	BT280126100	1
15	ARANDELA PLANA 6X12X1,5 / 6X12X1,5 LOWER WASHER	T4006012	1
16	CTO. INTERMEDIO Y SILENCIOSO FINAL / FINAL AND SILENCER EXHAUST SET	BRT050526050	1
17	CASQUILLO DISTANCIADOR / SPACER BOSHING	BE120110065	1

Nº	DESCRIPCIÓN / DESCRIPTION	TXT ROOKIE 05	Cant.
1	CTO. PINZA FRENO TRASERA / REAR BRAKE SET	BT280122000	1
2	CASQUILLO CENTRADOR PINZA / SPACER BUSHING	BT280222049	1
3	CHAVETA SUJECIÓN PASTILLA / KEY SPACER BRAKE PADS	R250000	1
4	PINZA FRENO TRASERA / REAR BRAKE CALIPER	BT280222001	1
5	TORNILLO LATERAL BOMBA FRENO TRASERO / BOLT PRESSURE HOSE	R320000	2
6	ARANDELA COBRE / WASHER COPPER	BE25622007	4
7	KIT REPARACIÓN PINZA FRENO / REPAIR KIT BRAKE PAD	BT280222202	1
8	INTERRUPTOR STOP HOMOLOGADO / STOP INTERRUPTOR HOMOL.	BEP250234003	1
9	LATIGUILLO FRENO TRASERO / REAR BRAKE HOSE	BT280222004	1
10	REENVÍO / HALL SENSOR	BT280034050	1
11	TORNILLO 6X25 / 6X25 BOLT	-	1
12	CASQUILLO SEPARADOR FRENO TRASERA / REAR BRAKE PUMP SPACER	-	1
13	TUERCA CON ARANDELA M6 (DIN 6923) ESTRIADA / M6 NUT WITH WASHER	-	2
14	ULS 6X12 / 6X12 ULS	T0506012	2
15	ABRAZADERA ELÁSTICA ALAMBRE / ELASTIC SPRING	L200036	2
16	BOMBA FRENO TRASERO / REAR BRAKE PUMP	BT280222010	1
17	VARILLA FRENO TRASERA TRIAL 2002 / TRIAL 2002 REAR BRAKE ROD	BT280222062	1
18	TUBO DE LÍQUIDO DE FRENO / BRAKE LIQUID TUBE	BE25632009	1
19	ULS 6x25 / 6x25 ULS BOLT	T0556025	1
20	ARANDELA 6X16X1.5 / 6X16X1.5 WASHER	T4006016	2
21	TUERCA AUTOBLOCANTE BAJA / LOW SPOKE NUT	T2106001	2
22	RÓTULA PEDAL FRENO / BRAKE PEDAL BALL-AND-SOCKET JOINT	BT280222053	1
23	CASQUILLO SEPARADOR 390.80.221 / 390.80.221 BUSHING	BT280218052	1
24	CTO. PEDAL FRENO TRASERO / REAR BRAKE PEDAL SET	BT27922016CT	1
25	REMACHE PUNTERA PEDAL FRENO / BRAKE PEDAL END RIVET	BE25922018	1
26	MUELLE PUNTERA PEDAL / SPRING PEDAL, END GEAR CLEVER	ME25636029	1
27	PUNTERA PEDAL FRENO / TOE PEDAL BRAKE	BT27922017	1
29	GLACIER PEDAL FRENO 1215PD10 / 1215PD10 GLACIER BRAKE PEDAL	C200101	1
30	CASQUILLO TORNILLO PEDAL FRENO TRIAL / SCREW BUSHING	BT280210302	1
31	MUELLE DESVAPORIZADOR / SPRING BREATHER	M150000	1
32	ULS 6X14 CON ARANDELA / 6X14 ULS WITH WASHER	T0556014	1
33	DEPÓSITO LÍQUIDO FRENOS / BRAKE LIQUID TANK	BT280410016	1
34	PROTECTOR DISCO TRASERO 2001 / 2001 REAR BRAKE DISC PROTECTOR	BT280128012	1
35	SOPORTE PROTECTOR DISCO TRASERO / REAR BRAKE DISC PROTECTOR SUPPORT	BT280222051	1

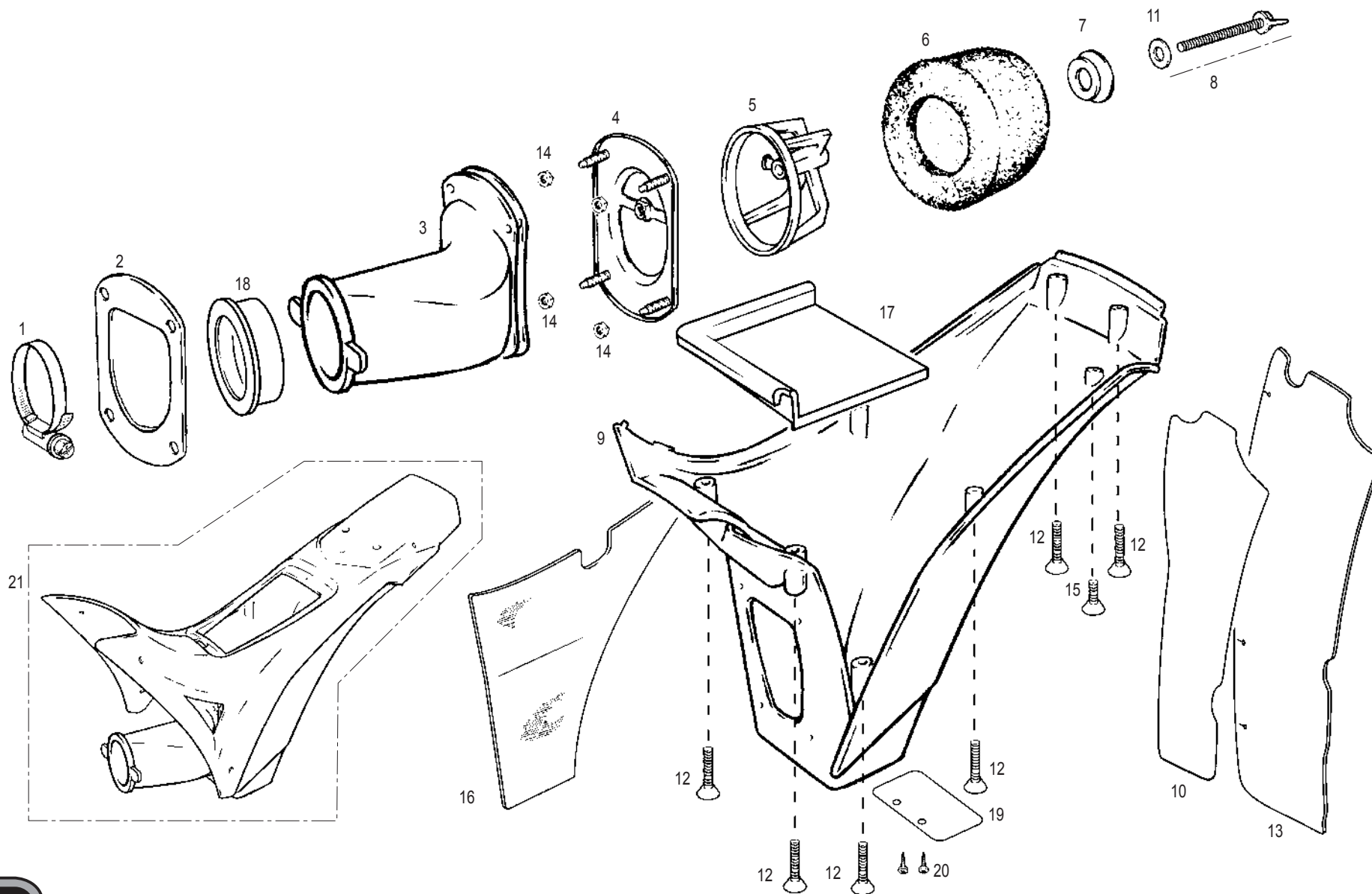
Rueda trasera
/ Rear wheel

GAS GAS

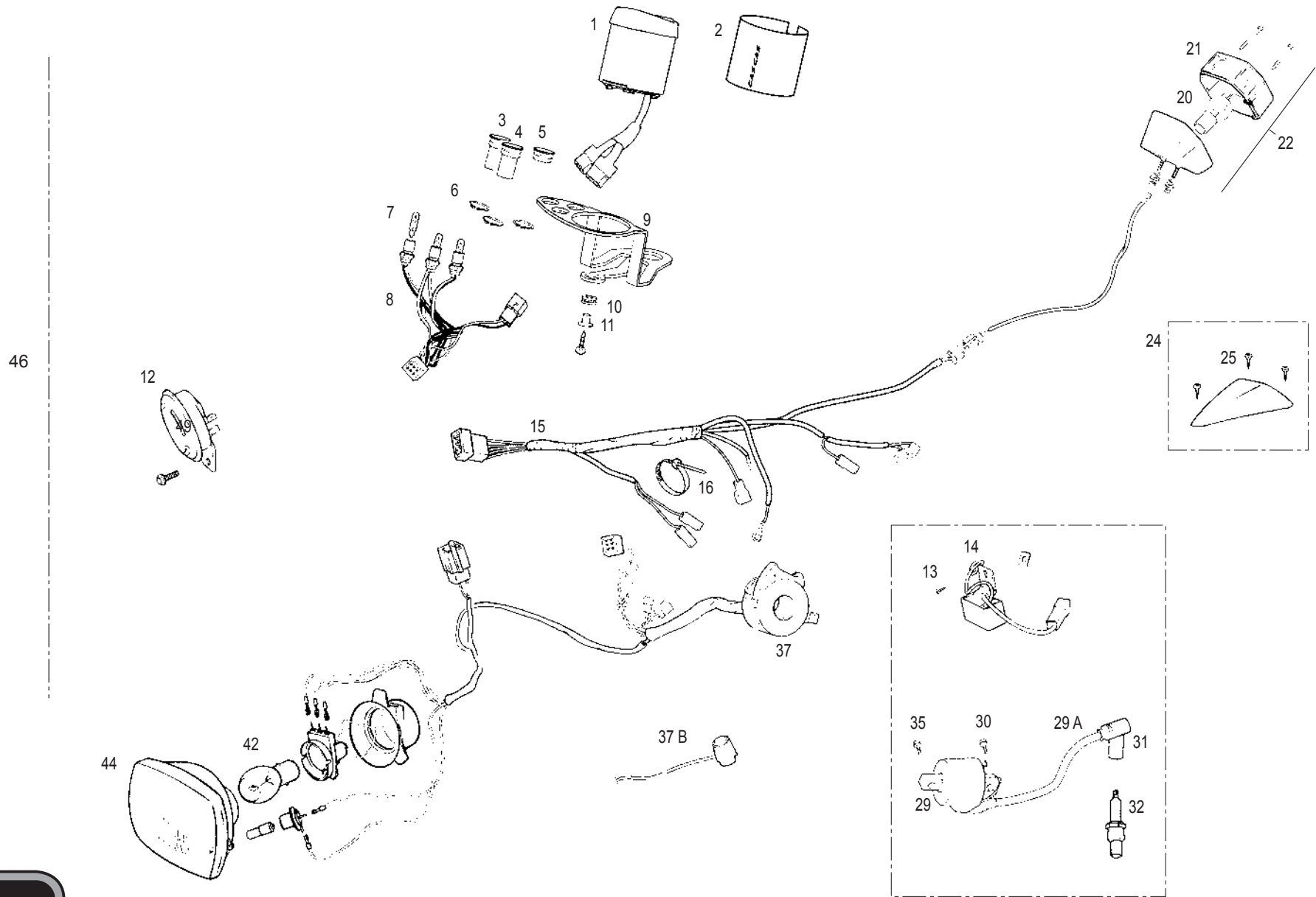
TXT ROOKIE 05



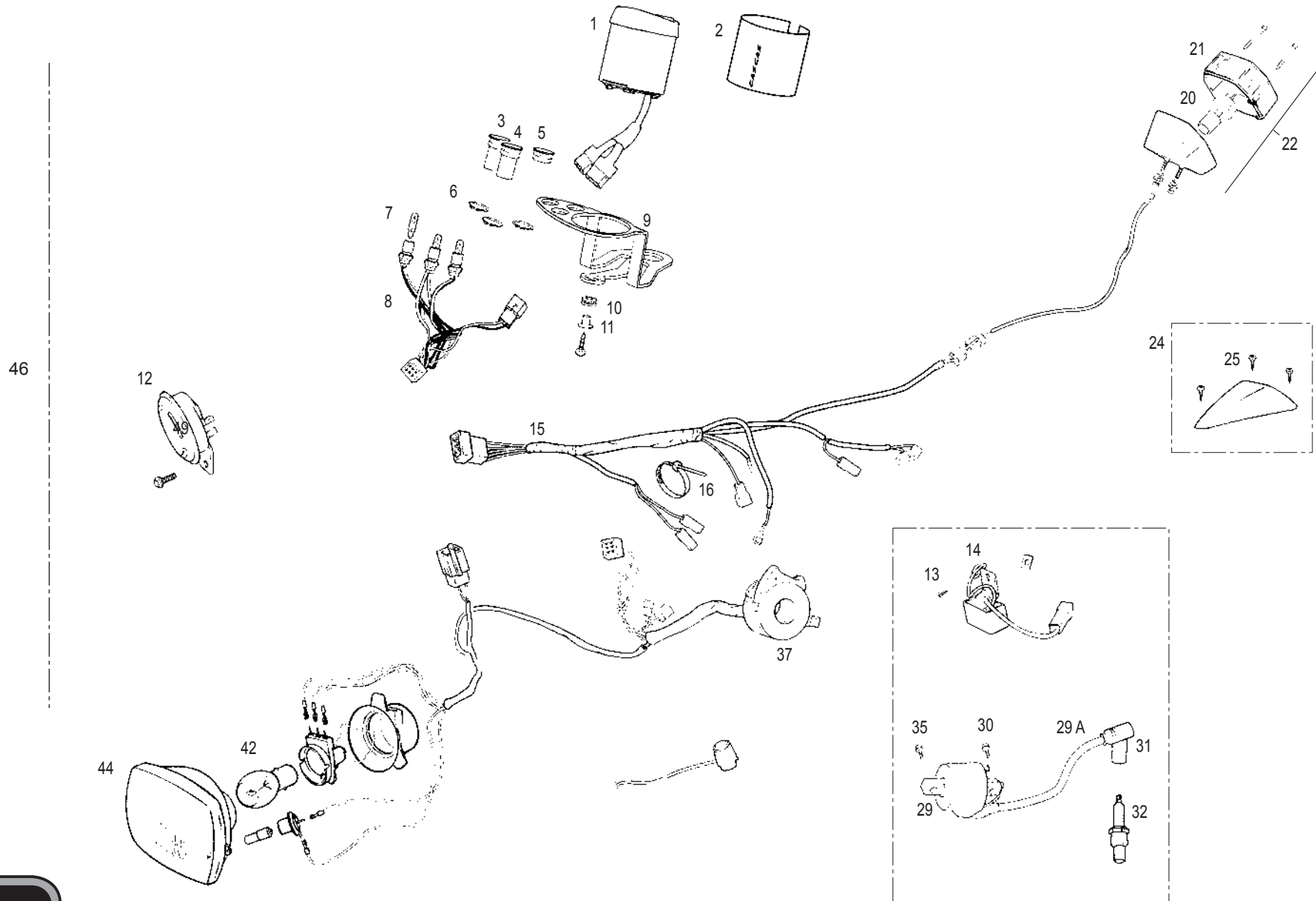
Nº	DESCRIPCIÓN / DESCRIPTION	TXT ROOKIE 05	Cant.
36	ULS 5X12 / 5X12 ULS	T0505012	1
37	TORNILLO ULS 6X20 / 6X20 ULS BOLT	T0506020	1
38	TUERCA EJE RUEDA TRASERA / NUT AXLE REAR WHEEL	R640001	2
39	ARANDELA EJE TRASERO 17X30X1,5 DIN 137 / DIN 137 17X30X1,5 REAR WASHER	BT280436014	1
40	EXCÉNTRICA TRASERA / REAR SAIL CAM ADJUSTER	R620001	2
41	ALLEN 6X18 / 6X18 SCREW	T0316018	2
42	PASTILLA FRENO TRASERA / REAR BRAKE PADS	BT280222068	2
43	DISCO FRENO TRASERO TRIAL 2003 / TRIAL 2003 REAR BRAKE DISK	BT280322012	1
44	DISTANCIADOR RUEDA TRASERA 7.5MM / 7.5MM REAR SPACER WHEEL	BT280218021	2
45	COJINETE 6004 / BEARING	C160001	1
46	CUBIERTA TRASERA 400X18 TBLS / REAR WHEEL TYRE	N200100	1
47	RUEDA TRASERA TRIAL / TRIAL REAR WHEEL	BRT070418100	1
48	RADIO 3.4X220 RUEDA TRASERA TRIAL / REAR SPOKE	BRT500118014	16
49	RADIO 3.4X215 RUEDA TRASERA TRIAL / REAR SPOKE	BRT500118015	16
50	TUERCA RADIOS 3.5MM. RUEDA TRASERA / REAR SPOKE NUT	BT27718016	32
51	VÁLVULA / AIR VALVE	N200110	1
54	EJE RUEDA TRASERA / REAR WHEEL AXLE	R590003	1
55	CORONA TRIAL SXX1 / SPOCKETT	BT280218034	1
55A	CORONA Z43 TRIAL SXX1 / SPOCKETT	BT280218024	1
56	TUERCA AUTOBLOCANTE M8 BAJA / M8 LOW SELF-LOCK NUT	T2108001	1
57	ULS 8X20 PLAT. PROT. / 8X20 ULS	T0508020	1
58	CADENA TRIAL / TRIAL CHAIN	BRT500110036	1
59	FLAP LLANTA TRASERA / REAR RIM FLAP	R500115	1
60	ABRAZADERA BLANCA / WHITE CLAMP	BT27710120	1
61	LLANTA RUEDA TRASERA / REAR WHEEL RIM	BRT500118011	1
62	SANGRADOR / BLEEDER	BE25622060	1
63	TAPÓN SANGRADOR / BLEEDER CAP	BT27922055	1
64	GOMA CABALLETE HOMOLOGADO / RUBBER SIDE STAND	BE25636000	1



Nº	DESCRIPCIÓN / DESCRIPTION	TXT ROOKIE 05	Cant.
1	ABRAZADERA / CLAMP	BT280328038	1
2	PLATINA EXTERIOR SOPORTE JAULA FILTRO TRIAL 2002 / EXTERNAL PLATE	BT280228021	1
3	TOBERA CAJA FILTRO TRIAL SXXI / TUBE, AIR CLEANER CONNECT.	BT280328017	1
4	PLATINA INTERIOR SOPORTE JAULA FILTRO TRIAL 2002 / INNER PLATE	BT280228020	1
5	JAULA FILTRO AIRE TRIAL 280-2002 / AIR CLEANER CAGE	BT280228002	1
6	FILTRO AIRE TRIAL XXI / AIR CLEANER	BT280328000	1
7	TETÓN ESPUMA FILTRO TRIAL 2002 / AIR CLEANER WASHER	BT280228008	1
8	VARILLA FILTRO TRIAL 2002 / AIR CLEANER ROD	BT280228003	1
9	CAJA FILTRO TRIAL 2003 / AIR CLEANER BOX	BT280328001	1
10	AD. PROTECTOR CAJA FILTRO / AIR CLEANER PROTECTOR SITCKER	BT280428024	1
11	ARANDELA / WASHER	T4006016	1
12	TORNILLO ROSCA-CHAPA 3,5X30 / 3,5X30 SCREW THREAD	BT280228034	7
13	GOMA PROTECCIÓN CAJA FILTRO / AIR CLEANER BOX PROTECTOR RUBBER	BT280420008	1
14	TUERCA M6 / M6 NUT	T2106002	4
15	TORNILLO ROSCA-CHAPA 3,5X12 / 3,5X12 SCREW THREAD	BT280228035	1
16	ADH. PROTECTOR ESCAPE AMIANTO / EXHAUST PROTECTOR STICKER	BT280238059	1
17	GOMA PROTECCIÓN ESPUMA FILTRO / AIR CLEANER PROTECTOR	BT280328036	1
18	ADAPTADOR CARBURADOR / CARBURETOR ADAPTER	BT250328040	1
19	VÁLVULA VACIADOR CAJA FILTRO TRIAL / TRIAL FILTER BOX VALVE	BT280428032	1
20	TORNILLO ROSCA-CHAPA 4,2X10 NEGRO / BLACK 4,2X10 SCREW	T0604210/2	2
21	CTO. CAJA FILTRO TRIAL PRO 2005 / TRIAL PRO 2005 FILTER BOX SET	BT280528001	1



Nº	DESCRIPCIÓN / DESCRIPTION	TXT ROOKIE 05	Cant.
1	MULTIFUNCIÓN TRIAL / TRIAL MULTIFUNCTION	BT280234005	1
2	ADHESIVO FIBRA MULTIFUNCIÓN / MULTIFUNCTION FIBER STICKER	BT27938040	1
3	TESTIGO LUZ POSICIÓN / SHORT LIGHT INDICATOR	BE250134037	1
4	TESTIGO LUZ LARGA / LONG LIGHT INDICATOR	BE250134038	1
5	TAPÓN NEGRO / BLACK CAP	BE250134043	1
6	CLIP TESTIGO / LIGHT CLIP	BE250134042	3
7	BOMBILLA 12V 1,2-9W / 12V 1,2-9W BULB	L300123	3
8	CABLEADO ILUMINACIÓN / ILLUMINATION INSTALLATION	BE250134023	1
9	SOPORTE CUENTA KM. / KM. COUNTER SUPPORT	BT280234045H	1
10	SILENTBLOCK GOMA / RUBBER SILENTBLOCK	G200000	1
11	CASQUILLO / BUSHING	B560040	1
12	CTO. CLAXON PE40065G11 / HORN ASSY	L300105	1
13	TORNILLO ESPECIAL 6X14 / 6X14 SPECIAL SCREW	T0206014	1
14	REGULADOR ALTERNADOR / ALTERNATOR REGULATOR	L300031	1
15	INSTALACIÓN TRIAL HOMOLOGADA / HOMOL. INSTALLATION	BT280434014	1
16	BRIDA UNEX MEDIANA / UNEX CLAMP	BE25634009	5
17	ULS 6X16 NEGRO / 6X16 ULS BLACK BOLT	-	2
18	TUERCA CON ARANDELA M6 / M6 NUT WITH WASHER	-	2
19	INTERMITENTE DERECHO TRASERO / RIGHT REAR INDICATOR	-	1
20	BOMBILLA 12V 5-21W / 12V 5-21W BULB	L300116	1
21	CRISTAL FARO TRASERO HOMOLOGADO / HOMOL. REAR LIGHT CAP	BP25734115	1
22	FARO PILOTO TRIAL HOMOLOGADO / HOMOL. TRIAL REAR LIGHT SET	BT280334015	1
23	INTERMITENTE IZQUIERDO TRASERO / LEFT REAR INDICATOR	-	1
24	FARO PILOTO TRIAL / TRIAL REAR LIGHT SET	-	1
25	TORNILLO ROSCA CHAPA 4X16 PHILIPS / 4X16 PHILIPS SCREW	T0604016	3
26	LAMPARA LEDS / ELECTRONIC LEDS LAMP	-	1
28	BOBINA / ELECTRIC COIL	-	1
29	BOBINA KOKUSAN IG3815 / KOKUSAN ELECTRIC COIL	Y00141735	1
29A	CABLE 30 CM BOBINA / ELECTRIC COIL 30 CM CABLE	BIE500134033	1
30	ALLEN 6X20 / 6X20 ALLEN BOLT	T0306020	2
31	PIPA BUJÍA IB05EMH = BT27934000 / SPARK PLUG	BE25934000	1
32	BUJÍA BPR5ES / SPARK PLUG	M04012000	1
34	CDI DIGITAL CU77516 TRIAL 125/200 2005 / TRIAL 2005 DIGITAL CDI	-	1
35	SOPORTE CDI TRIAL 2002 / TRIAL 2002 CDI SUPPORT	-	1
36	ALLEN 6X14 / 6X14 ALLEN	-	1
37	CONMUTADOR LUZ TT-97 / TT-97 LIGHT SWITCH	BE25734001	1
37B	BOTÓN DE PARO (MODELOS NO HOMOLOGADOS) / STOP BUTTON (NON APPROVED MODELS)	BIT50034055	1



Nº	DESCRIPCIÓN / DESCRIPTION	TXT ROOKIE 05	Cant.
38	INTERMITENTE DERECHO DELANTERO / FRONT RIGHT INDICATOR	-	1
39	TORNILLO PHILIPS ROSCA-CHAPA 6.3x16 NEGRO / 6.3X16 BLACK SCREW	-	2
40	SOPORTE INTERMITENTE DELANTERO / FRONT INDICATOR SUPPORT	-	2
41	INTERMITENTE IZQUIERDO DELANTERO / FRONT LEFT INDICATOR	-	1
42	BOMBILLA 12V 10W / 12V 10W BULB	-	4
43	CRISTAL INTERMITENTE / INDICATOR COVER	-	4
44	LÁMPARA 12V15W CASQUETE / 12V15W LAMP	L300115	1
45	ÓPTICA FARO HOMOLOGADO / HEADLIGHT	BT280120022	1
46	INSTALACIÓN TRIAL COMPLETA / ELECTRICAL INSTALLATION SET	-	1

DESPIECE PART LIST

TXT ROOKIE

2005

GAS GAS

RECOMIENDA EL USO DE ACEITE:



Ref.: PUO10638013

Fecha de impresión: Julio 2005

Los componentes aquí expuestos y referenciados se basan en los datos existentes en la fecha de impresión de este manual. GAS GAS Motos, S.A. se reserva el derecho de efectuar cambios y/o modificaciones sin previo aviso.