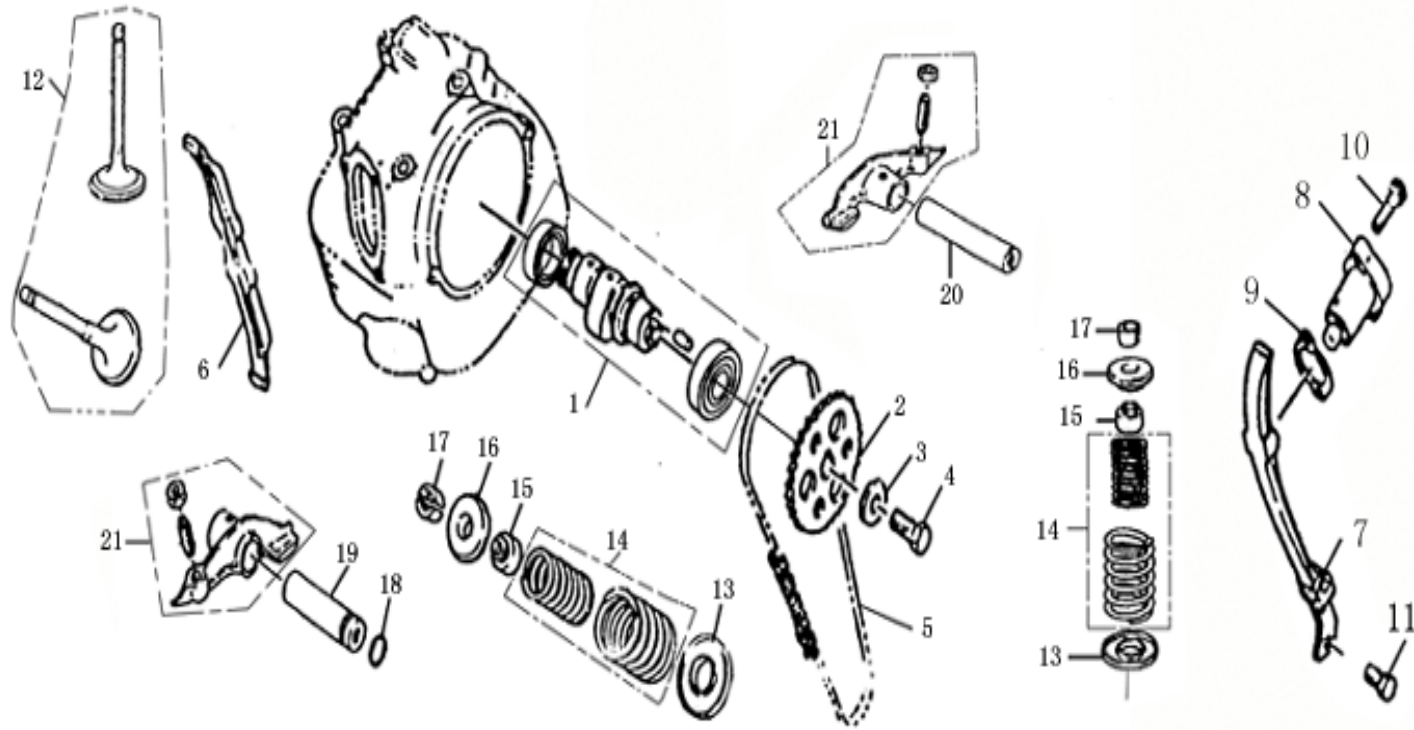


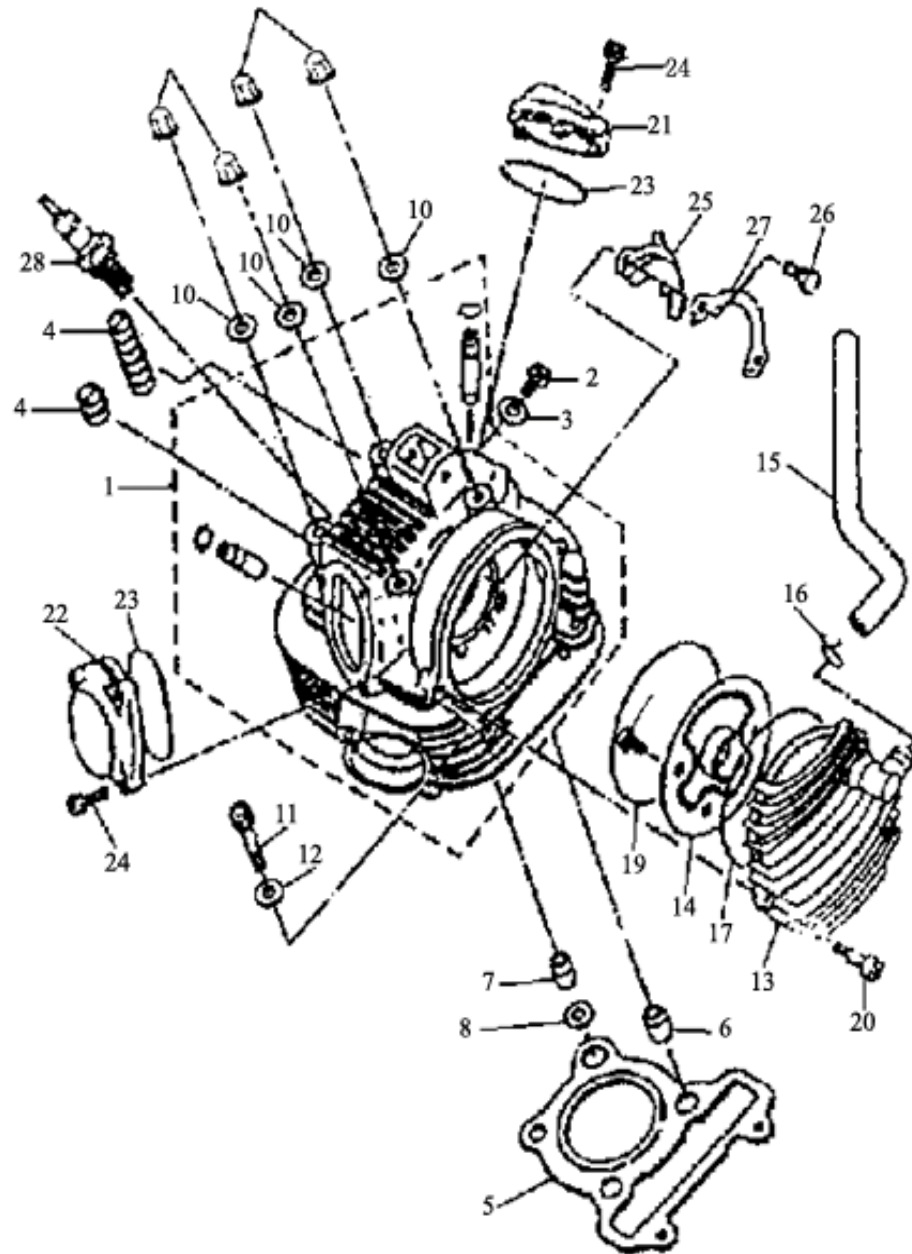
FIG. 1



ATV250-EC PARTS CATALOG

REF.NO	PART NO.	DESCRIPTION	UNIDAD
1-1	11102010-000FG-000000	PNEUMATIC CAM SHAFT ASSY	1
1-2	11004010-000FG-000000	TIMING SPROCKET	1
1-3	91000000-10025-578786	BOLT M10×1.25×25	1
1-4	11004020-000FG-000000	WASHER	1
1-5	11300000-000FG-000000	TIMING CHAIN	1
1-6	11400000-000FG-000000	LOWER GUIDE PLATE	1
1-7	11500000-000FG-000000	UPPER GUIDE PLATE ASSY	1
1-8	11200000-000FG-000000	CHAIN TENSIONER	1
1-9	11008010-000FG-000000	SHIM OF TENSIONER	1
1-10	91000000-06025-095026	BOLT 95026-06025	2
1-11	91000000-06014-027694	BOLT 95026-06014	2
1-12	11103030-000FG-000000	AIR VALVE	1
1-13	11104010-000FG-000000	VALVE SPRING SEAT	2
1-14	11107010-000FG-000000	VALVE SPRING	2
1-15	11120000-000FG-000000	VALVE STEM OIL SEAL	2
1-16	11103010-000FG-000000	VALVE SPRING COVER	2
1-17	11103020-000FG-000000	VALVE LOCK CLIP	4
1-18	11106010-000FG-000000	O-RING	1
1-19	11100020-000FG-000000	ROCKER ARM SHAFT 2	1
1-20	11100010-000FG-000000	ROCKER ARM SHAFT 1	1
1-21	11130000-000FG-000000	VALVE ROCKER ARM ASSY	1

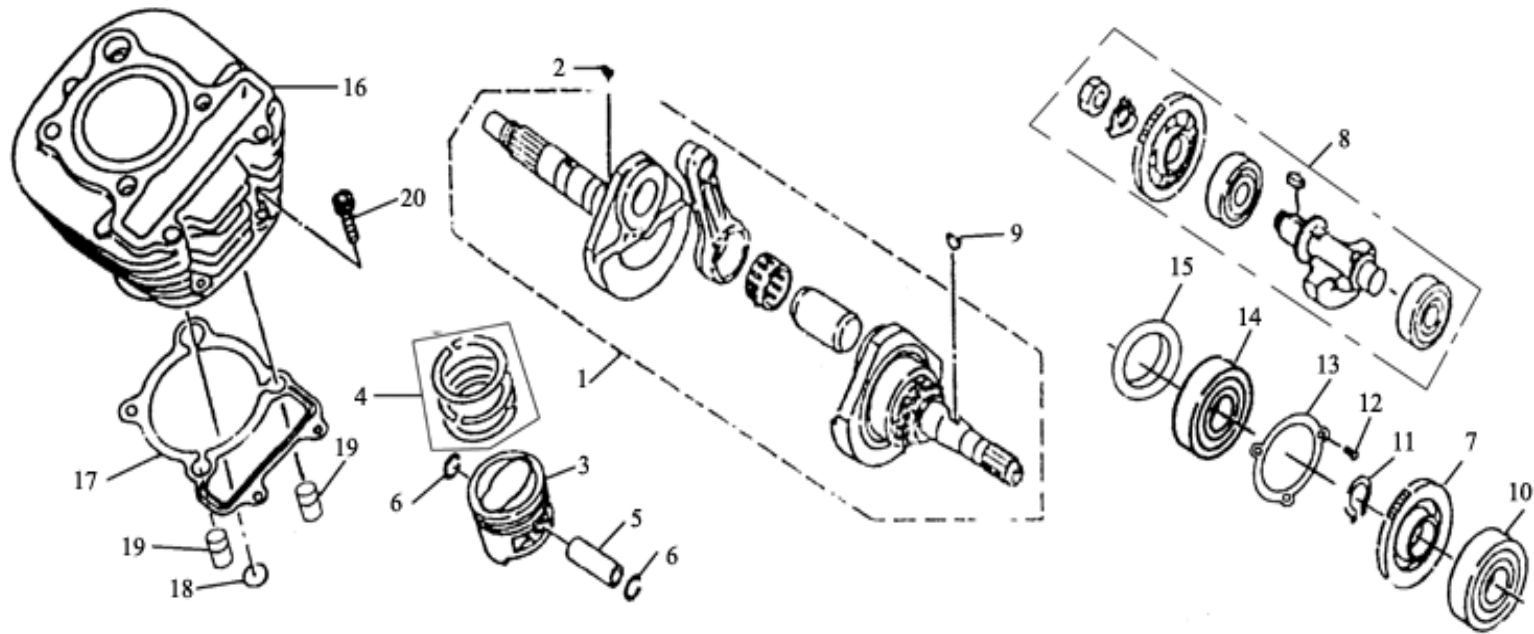
FIG. 2



ATV250-EC PARTS CATALOG

REF.NO	PART NO.	DESCRIPTION	UNIDAD
2-1	11110000-000FG-000000	CYLINDER CAP UNIT	1
2-2	91000000-06010-095026	BOLT 95026-06010	1
2-3	11004050-000FG-000000	WASHER	1
2-4	11006040-000FG-000000	DAMPER	8
2-5	11010000-000FG-000000	CYLINDER CAP SHIM UNIT	1
2-6	91000000-14016-099510	ALIGNMENT PIN 99510-14016	2
2-7	11000020-000FG-000000	ALIGNMENT PIN	1
2-8	11006030-000FG-000000	OIL SEAL	1
2-9	11010000-00ZA1-000000	CAP NUT	4
2-10	11004040-00ZA1-000000	WASHER	4
2-11	91000000-08045-007085	SCREW M8×45-10.9	2
2-12	91000000-08000-084885	WASHER 8	2
2-13	11030000-000FG-000000	SPROKET CHAMBER COVER UNIT	1
2-14	11020000-000FG-000000	OIL BAFFLE UNIT	1
2-15	11006060-000FG-000000	AIR DRAIN	1
2-16	11007010-000FG-000000	HOOP	1
2-17	11006020-000FG-000000	O-RING	1
2-18	91000000-06012-098512	SCREW 98512-06012	2
2-19	11006050-000FG-000000	O-RING	1
2-20	91000000-06020-098512	SCREW 98512-06020	2
2-21	11002020-000FG-000000	UPPER VALVE COVER	1
2-22	11002010-000FG-000000	LOWER VALVE COVER	1
2-23	11006010-000FG-000000	O-RING	2
2-24	91000000-06018-007085	SCREW M6×18-10.9	5
2-25	11104030-06020-098512	PRESSURE PLATE	1
2-26	91000000-06012-578386	BOLT M6×12	2
2-27	11104020-06020-098512	STOP PLATE	1
2-28	11110001-06020-098512	SPARK PLUG	1

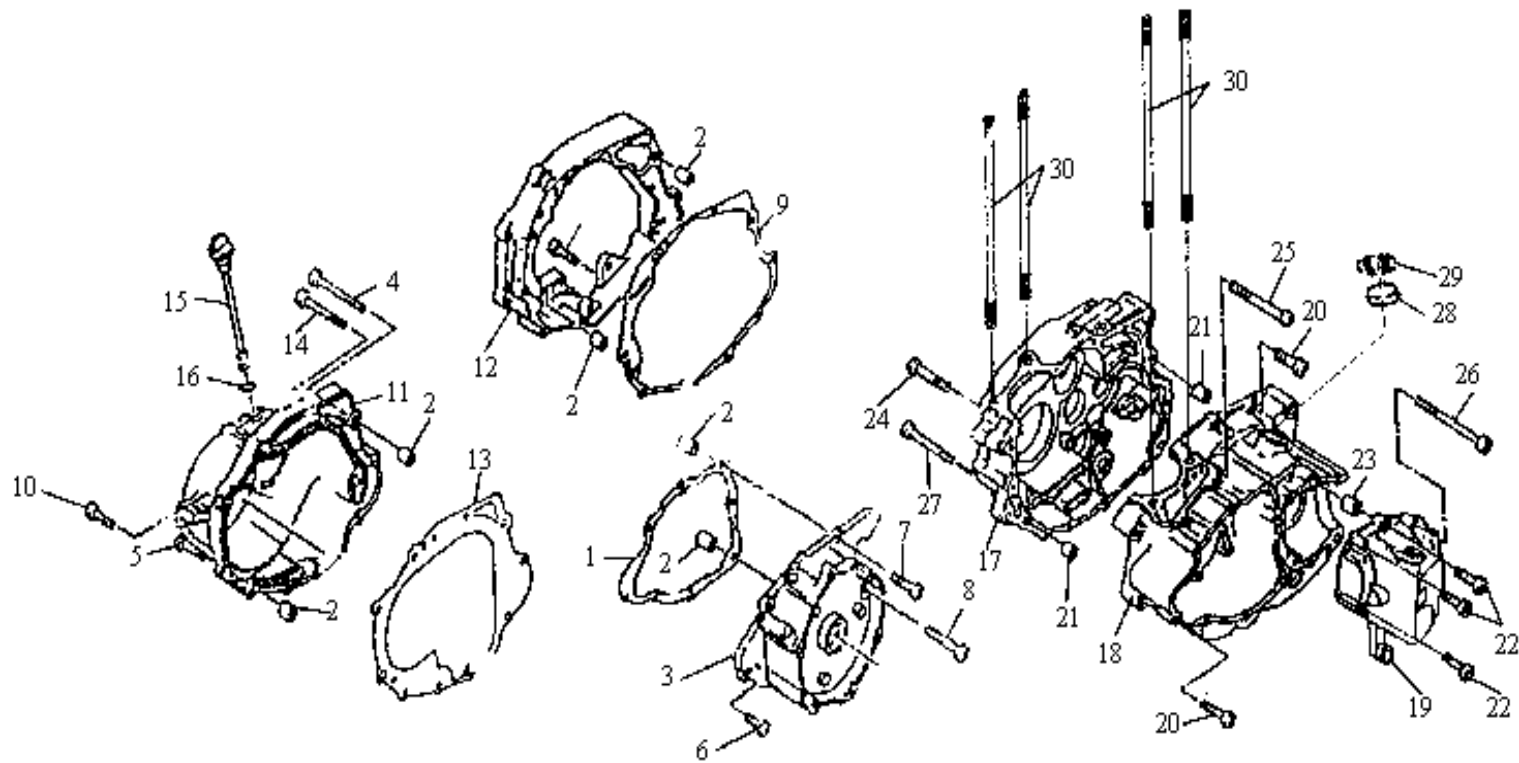
FIG. 3



ATV250-EC PARTS CATALOG

REF.NO	PART NO.	DESCRIPTION	UNIDAD
3-1	12100000-000FG-000000	CRANK CONNECTING ROD ASSY	1
3-2	91000000-03013-109979	WOODRUFF KEY 3×5×13	1
3-3	12202010-000FG-000000	PISTON	1
3-4	12200010-000FG-000000	PISTON RING ASSY	1
3-5	12000010-000FG-000000	PISTON PIN	1
3-6	12007010-000FG-000000	CIRCLIP	2
3-7	12003030-000FG-000000	BLANCE SHAFT DRIVING GEAR	1
3-8	13003010-000FG-000000	BLANCE SHAFT ASSY	1
3-9	12000020-000FG-000000	WOODRUFF KEY	1
3-10	91000000-06306-027694	BEARING 6306/c4	1
3-11	91000000-26000-089496	CIRCLIP 26	1
3-12	91000000-06018-081985	SCREW M6×18	3
3-13	12004010-000FG-000000	PRESSURE PLATE	1
3-14	91000000-06203-027694	BEARING 6203	1
3-15	12020000-000FG-000000	OIL SEAR	1
3-16	12010000-000FG-000000	CYLINDER UNIT	1
3-17	12008010-000FG-000000	CYLINDER SHIM	1
3-18	12006010-000FG-000000	O-RING	1
3-19	91000000-14016-099530	ALIGNMENT PIN 99530-14016	2
3-20	91000000-06025-007085	SCREW M6×25-10.9	2

FIG. 4



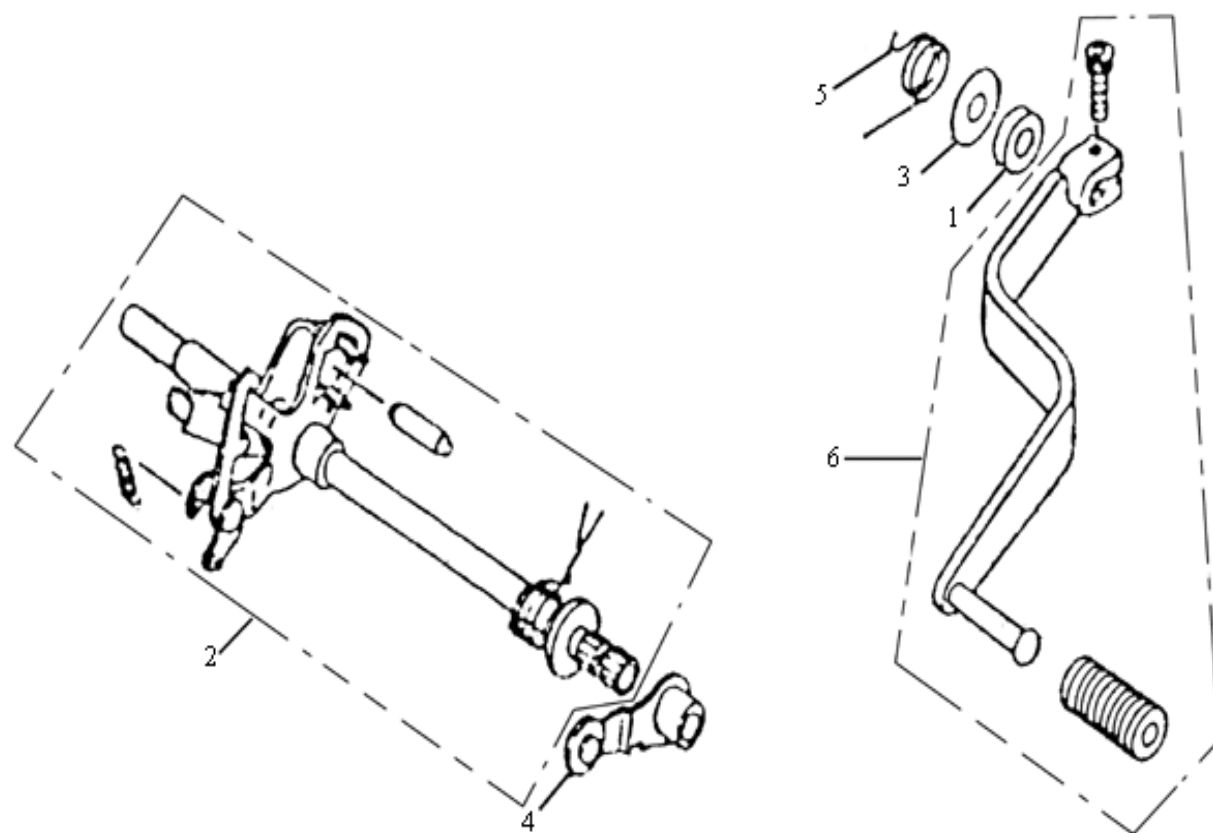
ATV250-EC PARTS CATALOG

REF.NO	PART NO.	DESCRIPTION	UNIDAD
4-1	13008010-000FG-000000	LEFT CRANKCASE COVER GASKET	1
4-2	91000000-12016-99530	PIN 99530-12016	8
4-3	13002010-000FG-000000	LEFT CRANKCASE COVER	1
4-4	91000000-06080-098512	SCREW 98512-06080	1
4-5	91000000-06030-098512	SCREW 98512-06030	1
4-6	91000000-06025-098512	SCREW 98512-06025	5
4-7	91000000-06050-098512	SCREW 98512-06050	1
4-8	91000000-06060-098512	SCREW 98512-06060	1
4-9	13008020-000FG-000000	RIGHT CONNECTING CASE GASKET	1
4-10	91000000-06040-098512	SCREW 98512-06040	7
4-11	13400000-000FG-000000	RIGHT CRANKCASE COVER	1
4-12	13002020-000FG-000000	RIGHT CONNECTING CASE	1
4-13	13008030-000FG-000000	RIGHT CRANKCASE COVE GASKET	1
4-14	91000000-06070-098512	SCREW 98512-06070	5
4-15	13010000-000FG-000000	OIL DIPSTICK	1
4-16	13006010-00ZA1-000000	O-RING	1
4-17	13200000-000FG-000000	RIGHT CRANKCASE ASSY	1
4-18	13100000-000FG-000000	LEFT CRANKCASE ASSY	1
4-19	13002030-000FG-000000	RIGHT DRIVING COVER	7
4-20	91000000-06030-098512	SCREW 98512-06070	2
4-21	13000010-000FG-000000	ALIGNMENT PIN O10×14	5
4-22	91000000-06035-007085	SCREW 98512-06030	2
4-23	91000000-06060-099512	PIN 98512-06060	1
4-24	91000000-06060-098512	SCREW 98512-06060	1
4-25	91000000-06085-098512	SCREW 98512-06085	1
4-26	91000000-06160-007085	SCREW M6×160-10.9	1
4-27	91000000-06075-098512	SCREW 98512-06075	1
4-28	13020000-000FG-000000	SPRUE	1
4-29	91000000-28000-089386	CIRCLIP 28	1
4-30	13008510-000FG-000000	DOUBLE-HEAD SCREW	4

ATV250-EC PARTS CATALOG

REF.NO	PART NO.	DESCRIPTION	UNIDAD
5-1	14110000-000FG-000000	MAIN CLUTCH ASSY	1
5-2	14004020-000FG-000000	WASHER	1
5-3	14004010-000FG-000000	LOCKING WASHER	1
5-4	14008540-000FG-000000	NUT	1
5-5	14210000-000FG-000000	CLUTCH ASSY	1
5-6	14207010-000FG-000000	CLUTCH SPRING	4
5-7	14204010-000FG-000000	PRESSURE COVER	1
5-8	14240000-000FG-000000	SCREW WITH WASHER	4
5-9	91000000-06000-027694	BEARING 6000	1
5-10	14003010-000FG-000000	CLUTCH POST ROD	1
5-11	14004030-000FG-000000	LOCKING WASHER	1
5-12	12008510-000FG-000000	NUT	1
5-13	14000010-000FG-000000	GUIDE ROD	1
5-14	14004040-000FG-000000	LOWER CAMP PLATE	1
5-15	14100000-000FG-000000	STEEL BALL BRACKET UNIT	1
5-16	14020000-000FG-000000	UPPER CAM PLATE UNIT	1
5-17	14030000-000FG-000000	PERATION ROCKER ARM UNIT	1
5-18	14007010-000FG-000000	COMPRESSION SPRING	1
5-19	14008520-000FG-000000	CONNECTING PIN 1.2×14	1
5-20	14000020-000FG-000000	SUPPORT SEAT	1
5-21	91000000-08000-097851	WASHER 8	1
5-22	91000000-01014-009186	COTTER PIN	1
5-23	14008530-000FG-000000	ADJUSTING SCRWE	1
5-24	14006010-000FG-000000	O-RING	1
5-25	91000000-08000-000848	WASHER 8	1
5-26	14008510-000FG-000000	LOCKING NUT	1

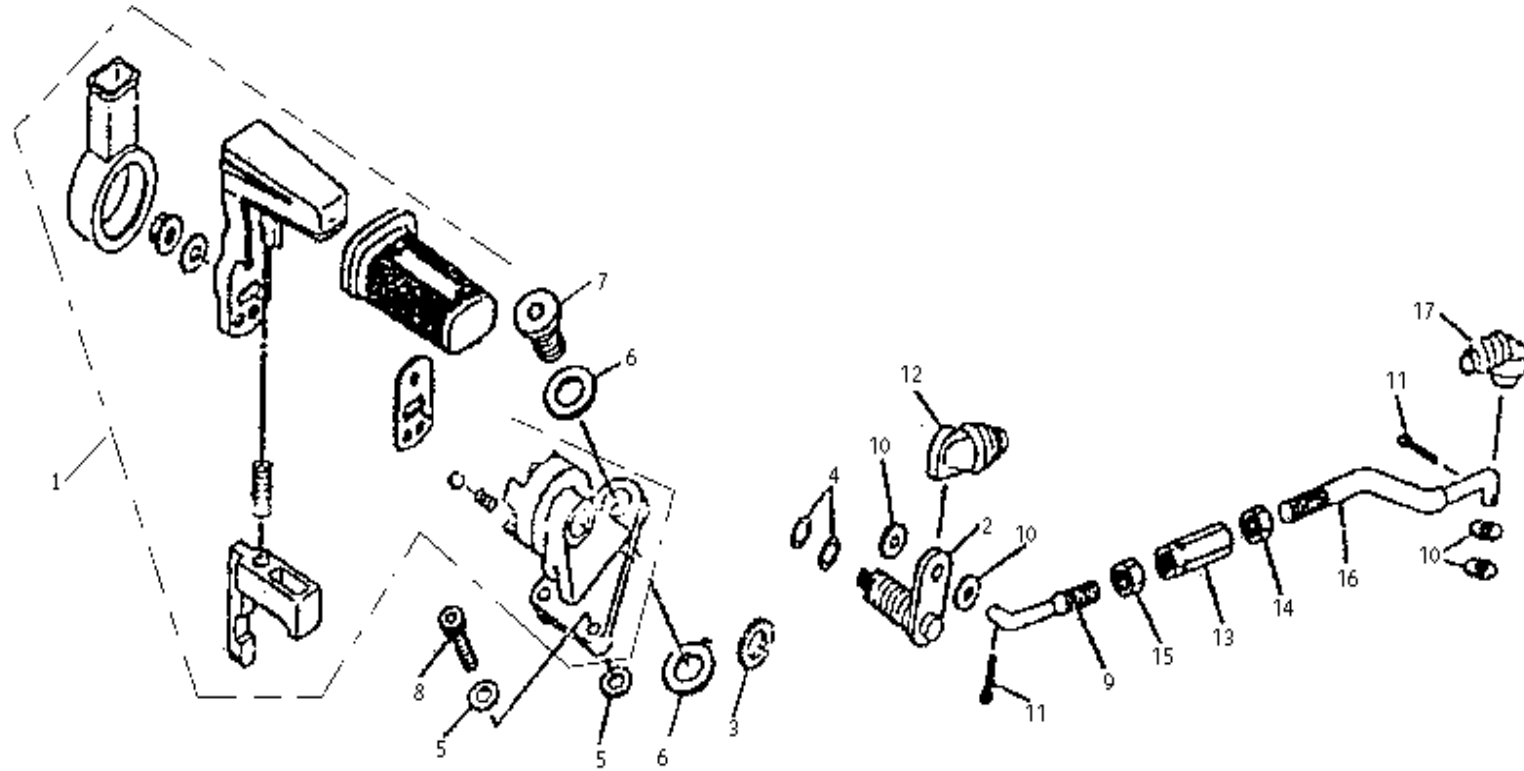
FIG. 6



ATV250-EC PARTS CATALOG

REF.NO	PART NO.	DESCRIPTION	UNIDAD
6-1	14020000-00ZA1-000000	OIL SEAL	1
6-2	15300000-000FG-000000	SHIFT ASSY	1
6-3	15004020-000FG-000000	WASHER	2
6-4	15600000-000FG-000000	LIMIT LEVER ASSY	1
6-5	15007020-000FG-000000	LIMIT LEVER SPRING	1
6-6	15700000-000FG-000000	SHIFT PEDAL ASSY	1

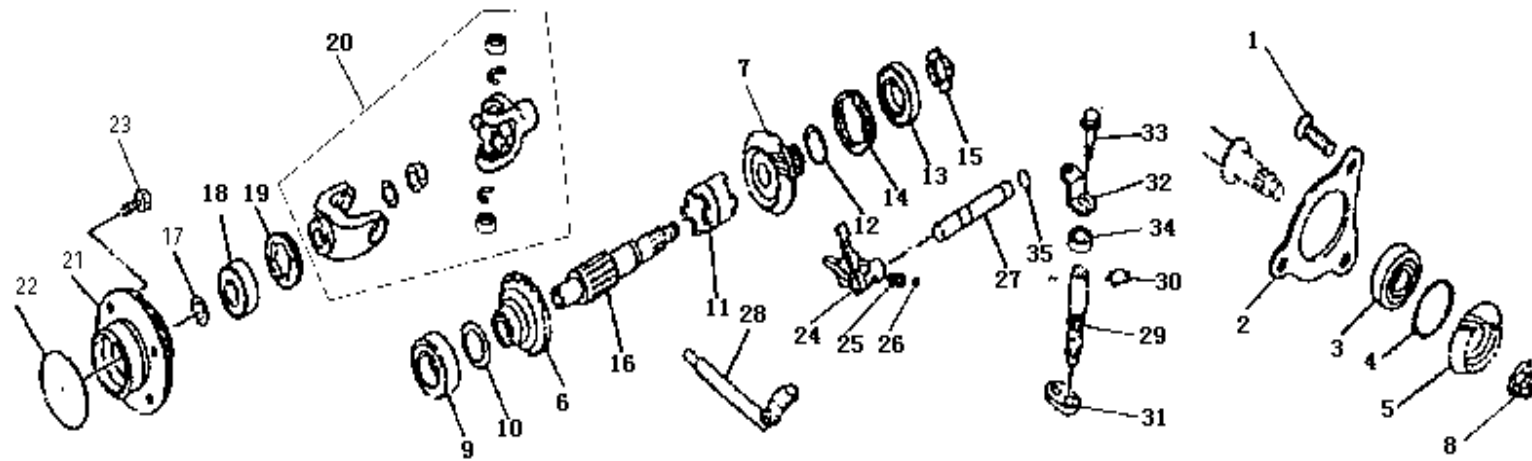
FIG. 7



ATV250-EC PARTS CATALOG

REF.NO	PART NO.	DESCRIPTION	UNIDAD
7-1	15910000-000FG-000000	LEVER ASSY	1
7-2	15930000-000FG-000000	LEVER SHAFT ASSY	1
7-3	15904020-000FG-000000	WASHER	1
7-4	15906010-000FG-000000	O-RING	2
7-5	15070000-000FG-000000	WASHER	4
7-6	15060000-000FG-000000	WASHER	2
7-7	15008520-000FG-000000	SCREW	1
7-8	91000000-06020-007085	SCREW M6×20-10.9	2
7-9	15907030-000FG-000000	CONNECTING ROD	1
7-10	91000000-06000-007185	WASHER 6	4
7-11	91000000-01014-009186	PIN 1.6×14	2
7-12	15906040-000FG-000000	FRONT SLEEVE	1
7-13	15906030-000FG-000000	ADJUSTING NUT	1
7-14	91000000-08000-617080	NUT M8	1
7-15	15908510-000FG-000000	LEFT HANDED NUT	1
7-16	15907040-000FG-000000	CONNECTINIG ROD 2	1
7-17	15906030-000FG-000000	REAR SLEEVE	1

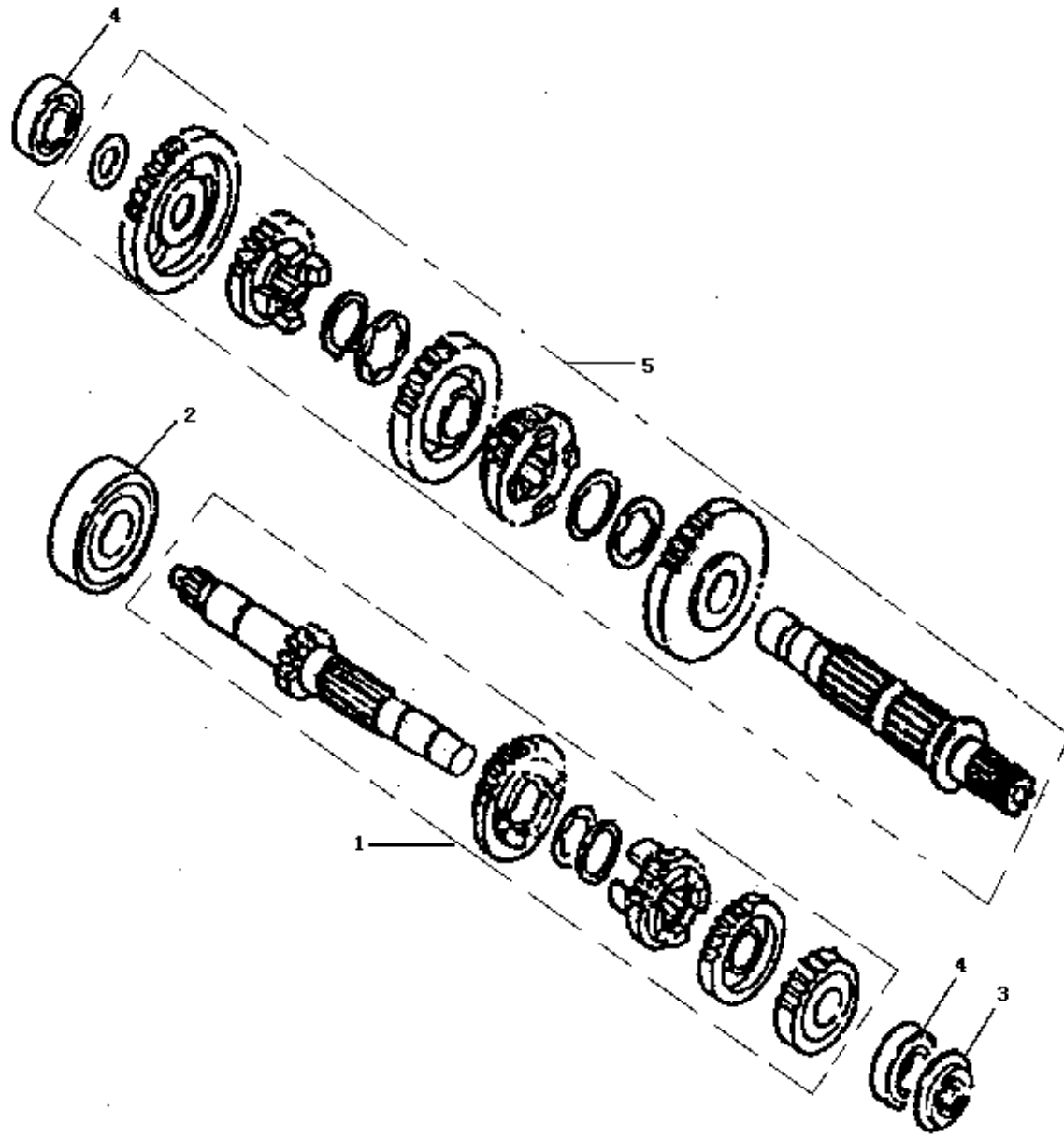
FIG. 8



ATV250-EC PARTS CATALOG

REF.NO	PART NO.	DESCRIPTION	UNIDAD
8-1	91000000-08025-081985	SCREW M8×25	3
8-2	15004010-000FG-000000	PRESSURE PLATE	1
8-3	91000000-06304-027694	BEARING 6304	1
8-4	15004090-000FG-000000	WASHER	1
8-5	15003040-000FG-000000	FIND GEAR	1
8-6	15810000-000FG-000000	FORWARD GEAR UNIT	1
8-7	15833010-000FG-000000	REVERSE GEAR	1
8-8	15008510-000FG-000000	NUT	1
8-9	91000000-06006-027694	BEARING 6006	1
8-10	15804070-000FG-000000	WASHER	1
8-11	15803020-000FG-000000	CONNECTING PAW	1
8-12	15804040-000FG-000000	WASHER	1
8-13	15840000-000FG-000000	BEARING	1
8-14	15838510-000FG-000000	NUT SLEEVE	1
8-15	15838520-000FG-000000	SHAPED LEFT HARDED	1
8-16	15803010-000FG-000000	OUTPUT SHAFT	1
8-17	15804040-000FG-000000	WASHER	1
8-18	15850000-000FG-000000	BEARING	1
8-19	15808510-000FG-000000	INTERNAL HEXAGONAL NUT	1
8-20	15803030-000FG-000000	CROSS JOINT ASSY.	1
8-21	15832010-000FG-000000	REAR COVER	4
8-22	15836010-000FG-000000	O-RING	1
8-23	91000000-08025-578786	BOLT M8×25	1
8-24	15003050-000FG-000000	REVERSE SHIFT FORK	1
8-25	15007030-000FG-000000	COMPRESSION SPRING	1
8-26	91000000-06000-030889	STEEL BALL 6.35G100b	1
8-27	15000060-000FG-000000	REVERSE SHIFT FORK SHAFT	1
8-28	15040000-000FG-000000	REVERSE CONTROL LEVER UNIT	1
8-29	15000070-000FG-000000	REVERS CONTROL SHAFT	1
8-30	91000000-14000-089486	CIRCLIP 14	1
8-31	15004030-000FG-000000	OPERATION PLATE	1
8-32	15004040-000FG-000000	LEVER PLATE	1
8-33	91000000-06016-578986	BOLT M6×16	1
8-34	15050000-000FG-000000	OIL SEAL	1
8-35	15006010-000FG-000000	O-RING	1

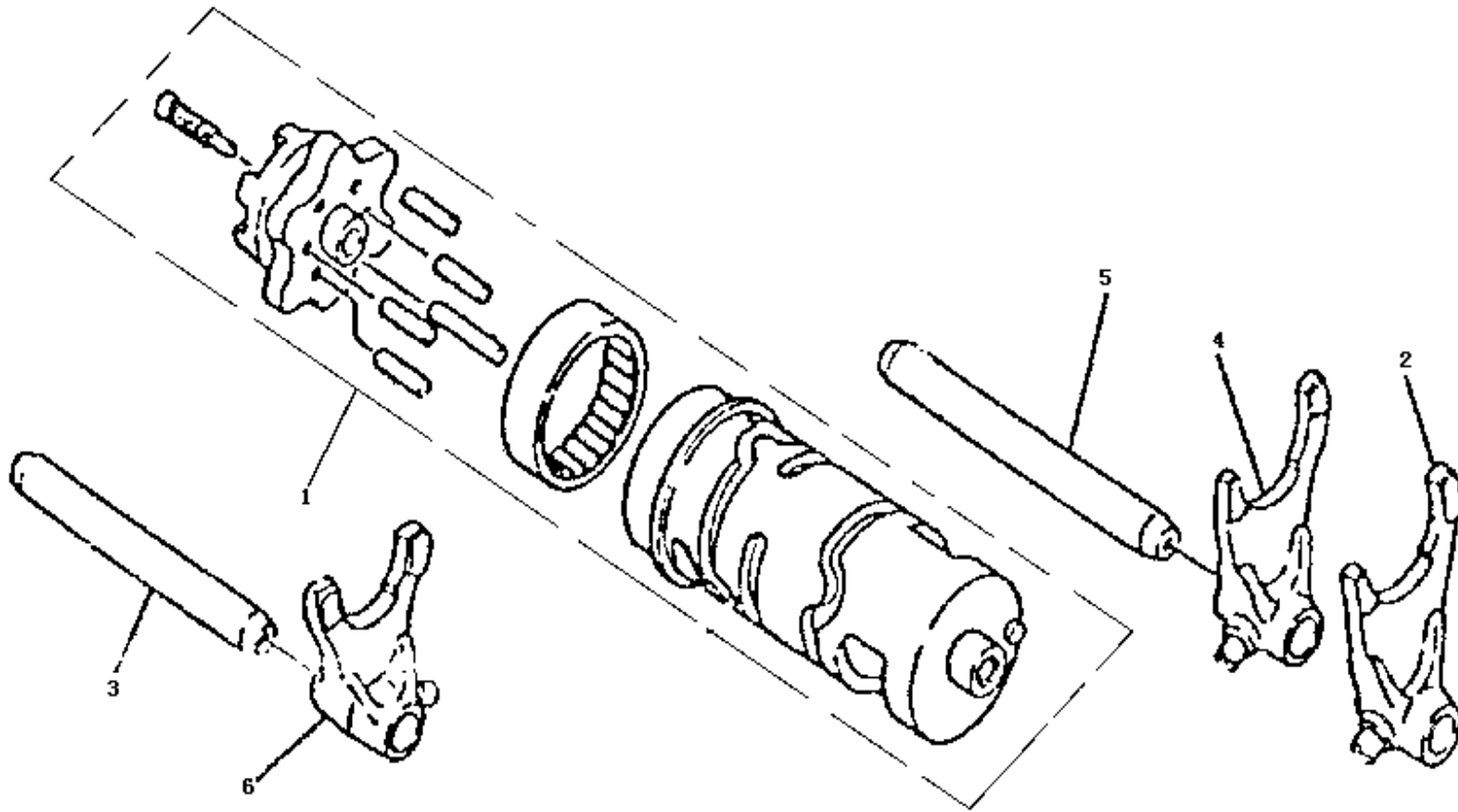
FIG. 9



ATV250-EC PARTS CATALOG

REF.NO	PART NO.	DESCRIPTION	UNIDAD
9-1	15110000-000FG-000000	SPINDLE ASSY	1
9-2	91000000-06204-027694	BEARING 6204	1
9-3	15010000-000FG-000000	OIL SEAL	1
9-4	91000000-06202-027694	BEARING 6202	2
9-5	15210000-000FG-000000	DRIVE AXLE ASSY	1

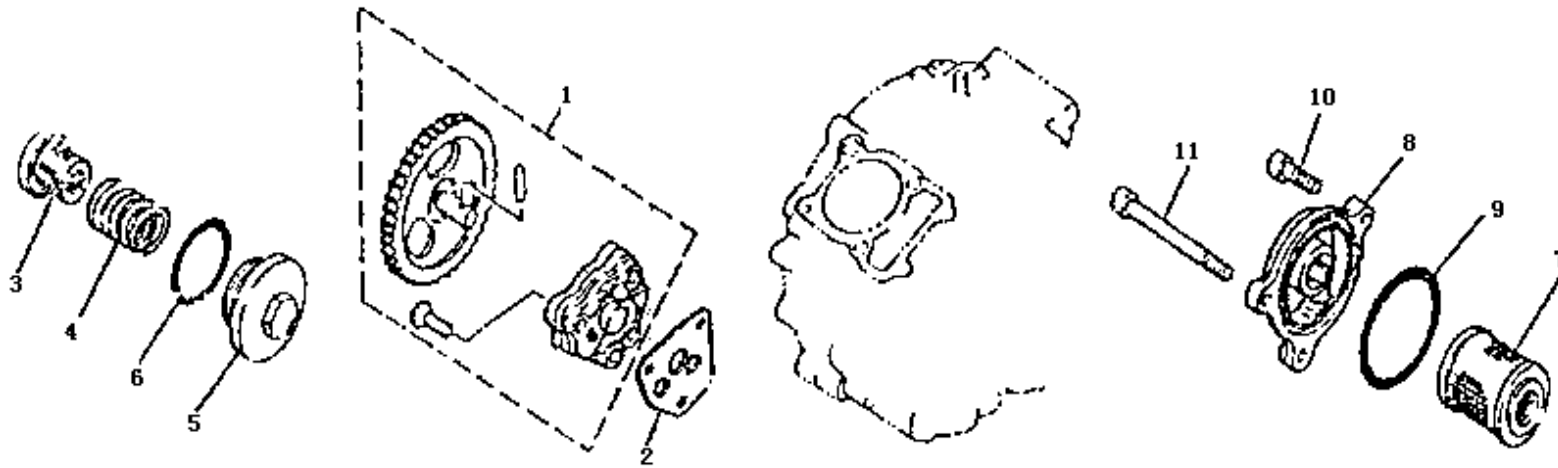
FIG. 10



ATV250-EC PARTS CATALOG

REF.NO	PART NO.	DESCRIPTION	UNIDAD
10-1	15400000-000FG-000000	SHIFT CAM AXLE ASSY	1
10-2	15003020-000FG-000000	SHIFT FORK 2	1
10-3	15003030-000FG-000000	SHIFT FORK 3	1
10-4	15003010-000FG-000000	SHIFT FORK 1	1
10-5	15000010-000FG-000000	LONG SHIFT FORK AXLE	1
10-6	15000020-000FG-000000	SHORT SHIFT FORK AXLE	1

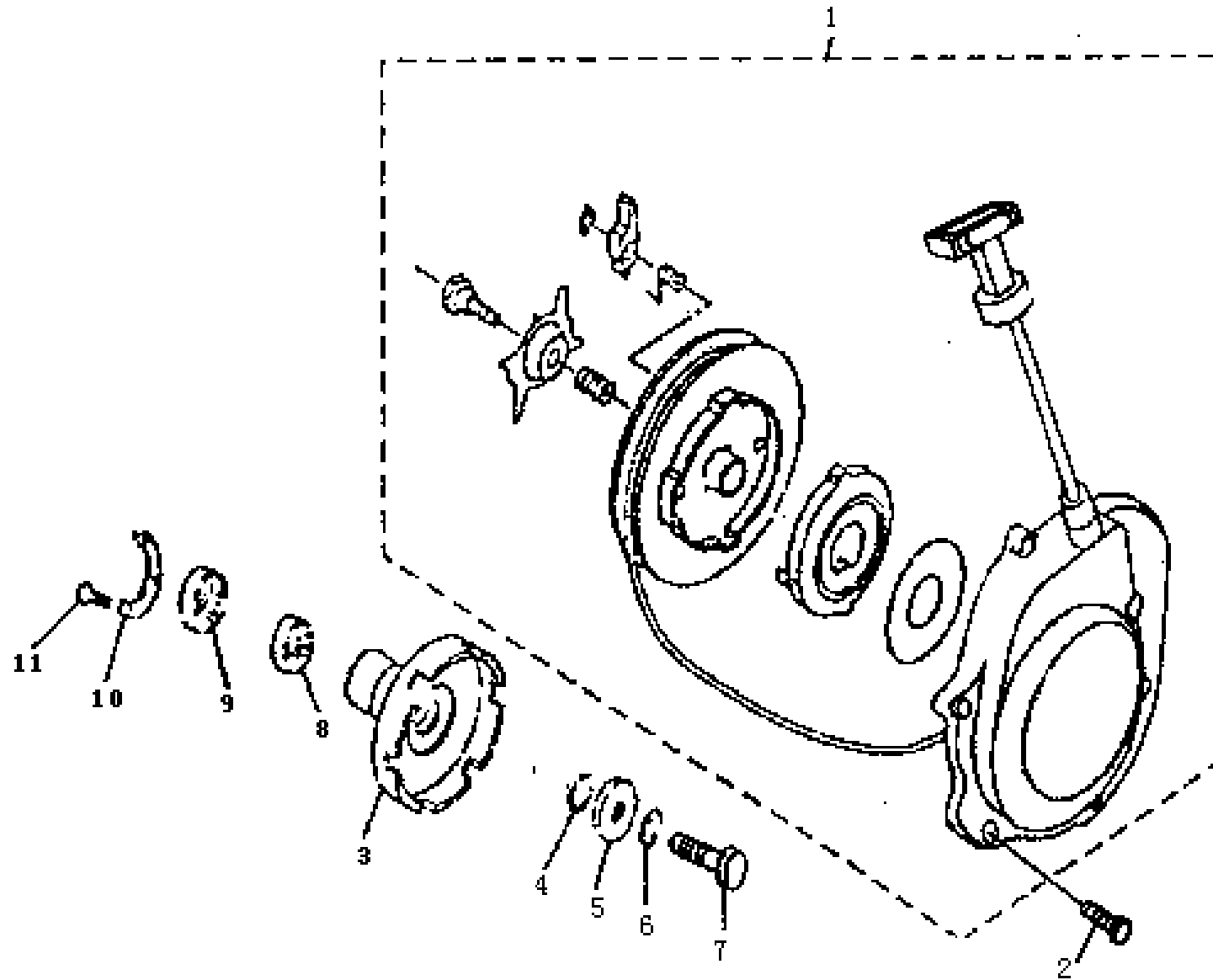
FIG. 11



ATV250-EC PARTS CATALOG

REF.NO	PART NO.	DESCRIPTION	UNIDAD
11-1	16100000-000FG-000000	ENGINE OIL PUMP	1
11-2	16008010-000FG-000000	OIL PUMP PAD	1
11-3	16200000-000FG-000000	ENGINE OIL COARSE STRAINER	1
11-4	16007010-000FG-000000	COMPRESSING SPRING	1
11-5	16002010-000FG-000000	OIL DRAIN PLUG SCREW	1
11-6	16006010-000FG-000000	O-RING	1
11-7	16300000-000FG-000000	ENGINE OIL FINE STRAINER	1
11-8	16002020-000FG-000000	ENGINE OIL FINE STRAINER COVER	1
11-9	16006020-000FG-000000	O-RING	1
11-10	91000000-06020-007085	SCREW M6×20-10.9	2
11-11	91000000-06115-007085	SCREW M6×115-10.9	1

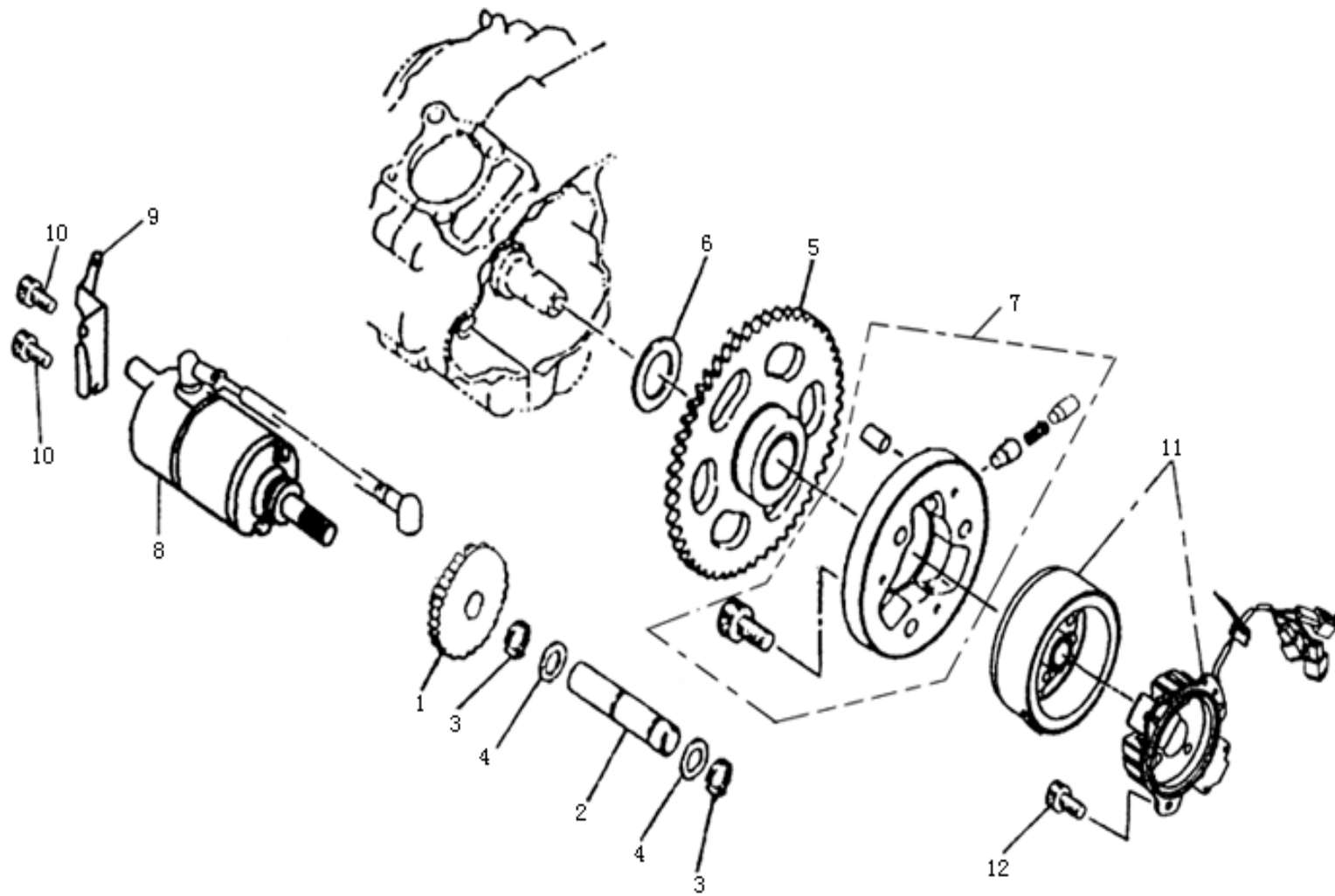
FIG. 12



ATV250-EC PARTS CATALOG

REF.NO	PART NO.	DESCRIPTION	UNIDAD
12-1	18700000-000FG-000000	HAND STARTING ASSY	1
12-2	91000000-06020-098512	SCREW 98512-06020	6
12-3	18070000-000FG-000000	BOSS ONE-WAY UNIT	1
12-4	18006010-000FG-000000	O-RING	1
12-5	18004040-000FG-000000	WASHER	1
12-6	91000000-10000-009387	WASHER	1
12-7	91000000-10125-578585	BOLT M10×125×40	1
12-8	18060000-000FG-000000	OIL SEAL	1
12-9	15840000-000FG-000000	BEARING	1
12-10	18004030-000FG-000000	PRESSING PLATE	1
12-11	91000000-05016-098512	SCREW M5×16	3

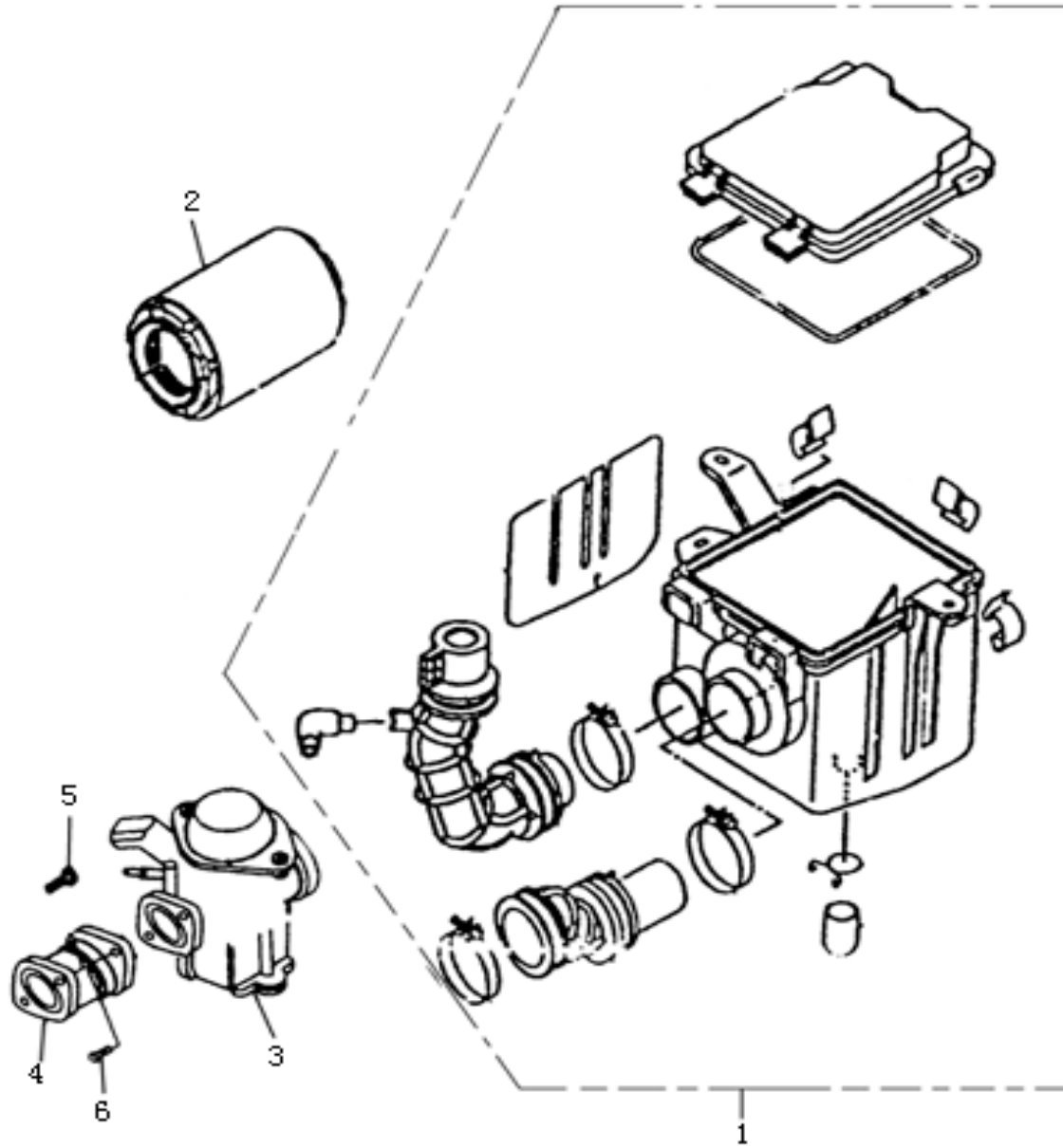
FIG. 13



ATV250-EC PARTS CATALOG

REF.NO	PART NO.	DESCRIPTION	UNIDAD
13-1	18007510-000FG-000000	DUPLUX GO GEAR	1
13-2	18000010-000FG-000000	GO GEAR AXLE	1
13-3	18004010-000FG-000000	WASHER	2
13-4	91000000-12000-894186	CIRCLIP 12	2
13-5	18600000-000FG-000000	GEAR ASSY OF ELECTRIC STARTER	1
13-6	18004020-000FG-000000	WASHER	1
13-7	18300000-000FG-000000	CLUTCH OF ELECTRIC STARTER ASSY	1
13-8	18500000-000FG-000000	STARTING MOTOR	1
13-9	18004050-000FG-000000	CONNECTING BOARD OF STARTING MOTOF	1
13-10	91000000-06115-097602	SCREW 97602-06115	2
13-11	18400000-000FG-000000	MAGNETO	1
13-12	91000000-06215-097602	SCREW 97602-06215	3

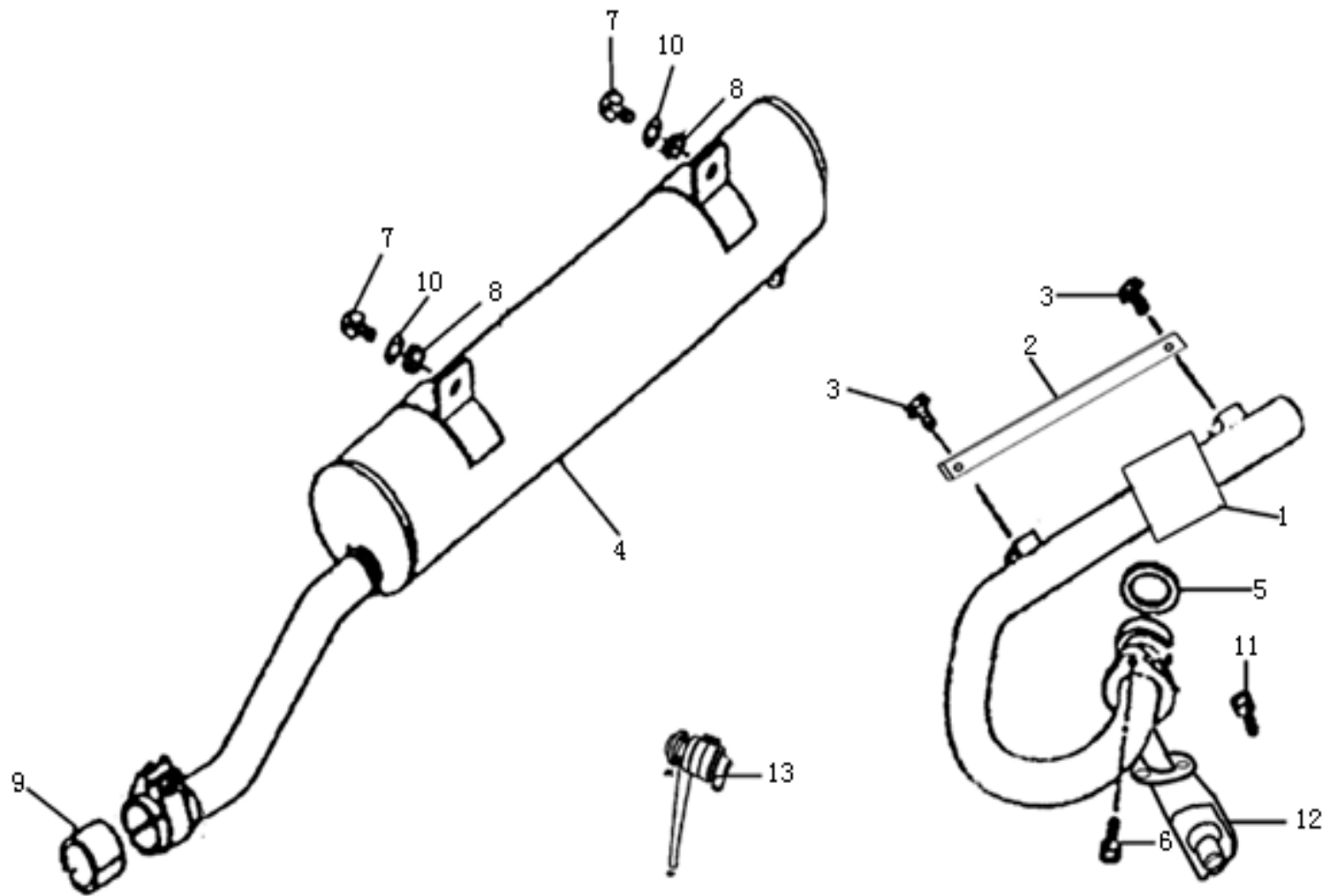
FIG. 14



ATV250-EC PARTS CATALOG

REF.NO	PART NO.	DESCRIPTION	UNIDAD
14-1	115000	AIR FILTER ASSY	1
14-2	115300	FILTER CORE UNIT	1
14-3	113100	CARBURETOR	1
14-4	113611	CARBURETOR SEAT	1
14-5	SB0616	SCREW M6×16	2
14-6	SB0616-18	SCREW M6×16-10.9	2

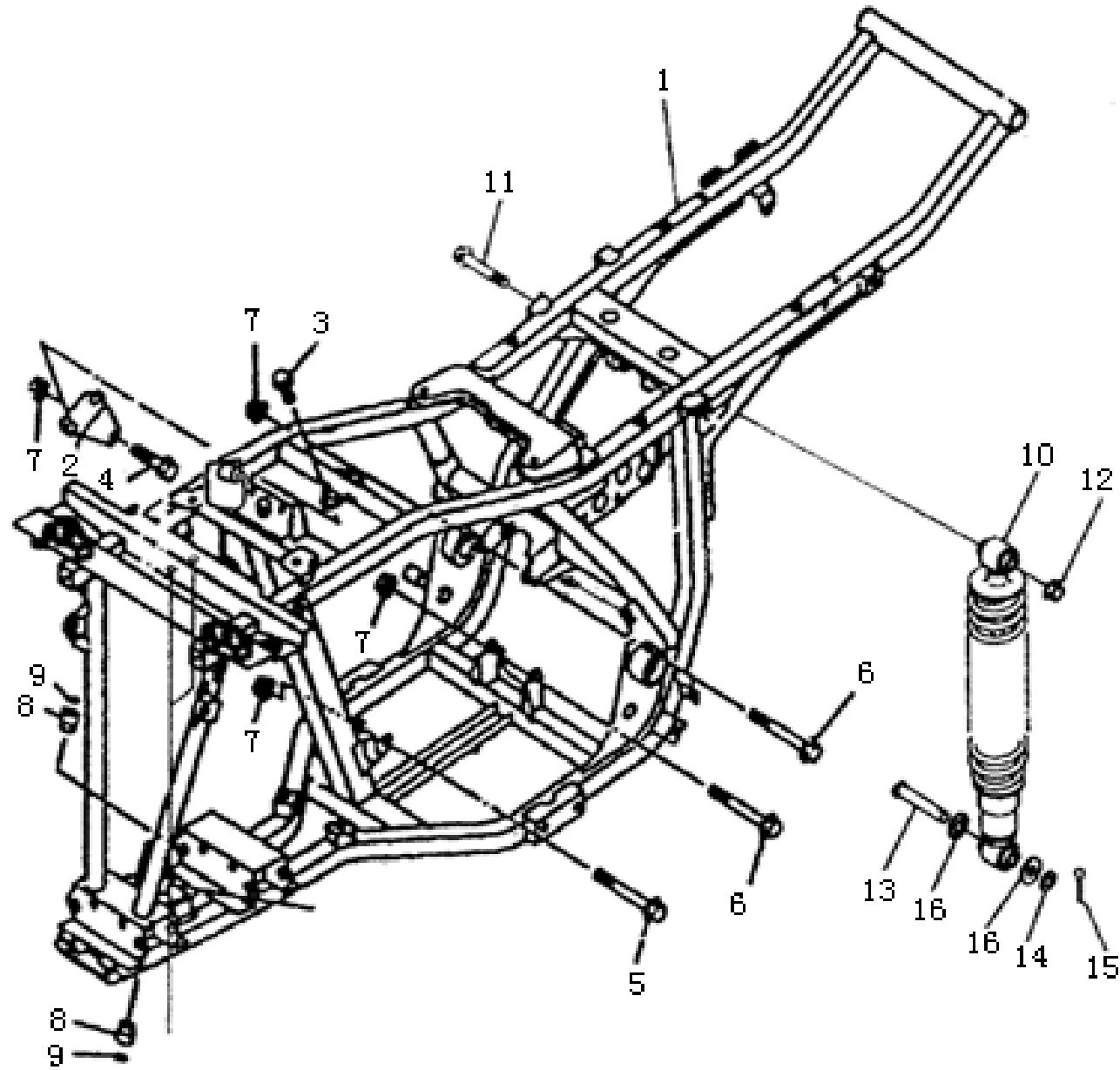
FIG. 15



ATV250-EC PARTS CATALOG

REF.NO	PART NO.	DESCRIPTION	UNIDAD
15-1	117200	EXHAUST PIPE UNIT 1	1
15-2	117002	THERMAL PLATE UNIT OF EXHAUT PIPE	1
15-3	sB0610	BOLT M6×10	2
15-4	117100	SILENCER ASSY	1
15-5	117073	EXHAUST PIPE WASHER	1
15-6	D00620-18	SCREW M6×20-10.9	2
15-7	SB0820	BOT M8×20	2
15-8	Q30800	WASHER 8	2
15-9	117075	SEAL RING OF EXHAUST PIPE	1
15-10	Q00800	WASHER 8	2
15-11	D00616	SCREW M6×16	2
15-12	114200	THROTTLE SWITCH	1
15-13	114100	THROTTLE VALVE ASSY	1

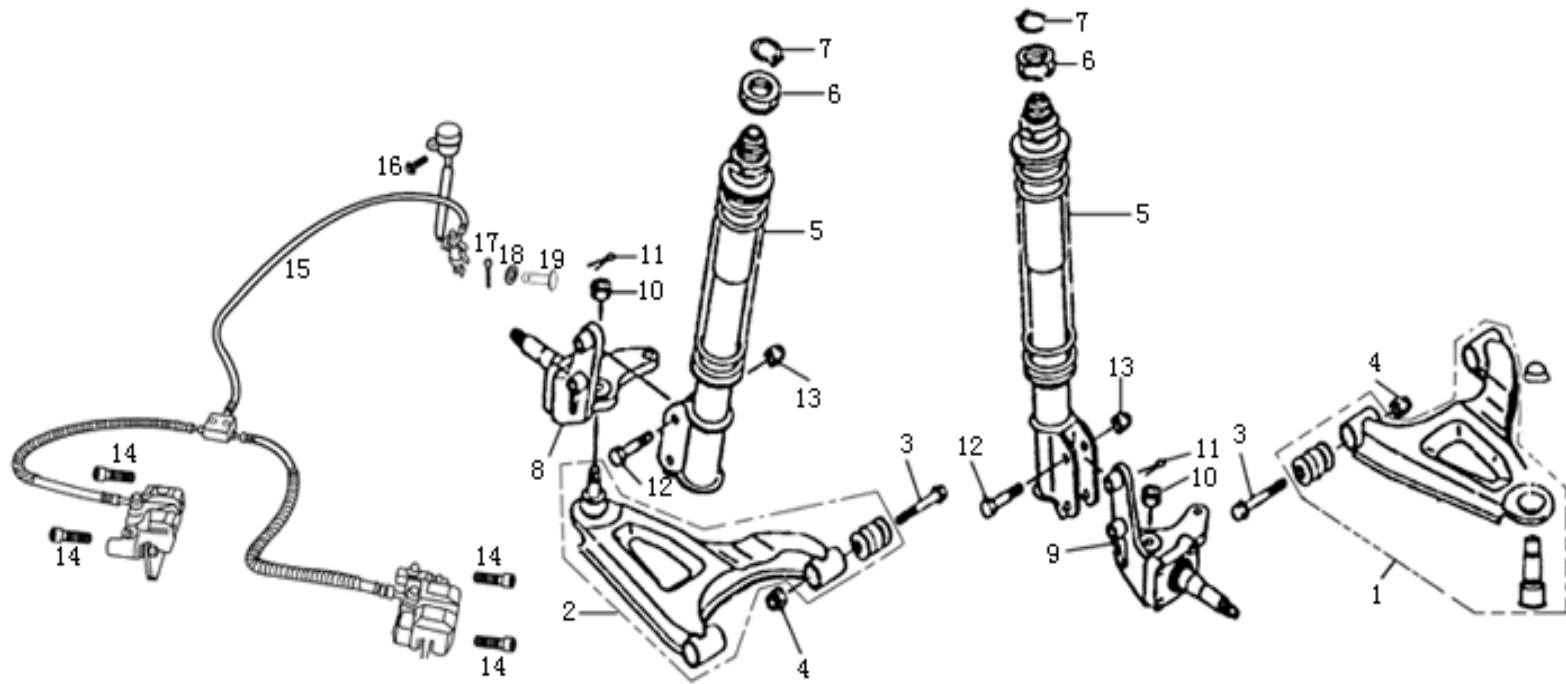
FIG. 16



ATV250-EC PARTS CATALOG

REF.NO	PART NO.	DESCRIPTION	UNIDAD
16-1	501100	FRAME	1
16-2	501002	CONNECTIO PLATE COMBINATION ON ENGI	1
16-3	sB0816	BOLT M8×16	2
16-4	sB0860	BOLT M8×55	1
16-5	sB0890	BOLT M8×65	4
16-6	sB08A5	BOLT M8×105	2
16-7	mc0800	NUT M8	5
16-8	912210	BUSH, SOLID	2
16-9	t51110-265150	O-RING 15×2.65G	2
16-10	506100	REAR SHOCK ABSORBER	1
16-11	s51275	BOLT M12×75	1
16-12	mc1200	NUT M12	1
16-13	912103	REAR SHOCK ABSORBER PIN	1
16-14	q21200	WASHER 12	1
16-15	X03B30	SPLIT PIN 3.2×30	1
16-16	506171	REAR SHOCK ABSORING RUBBER PAD UNIT	2

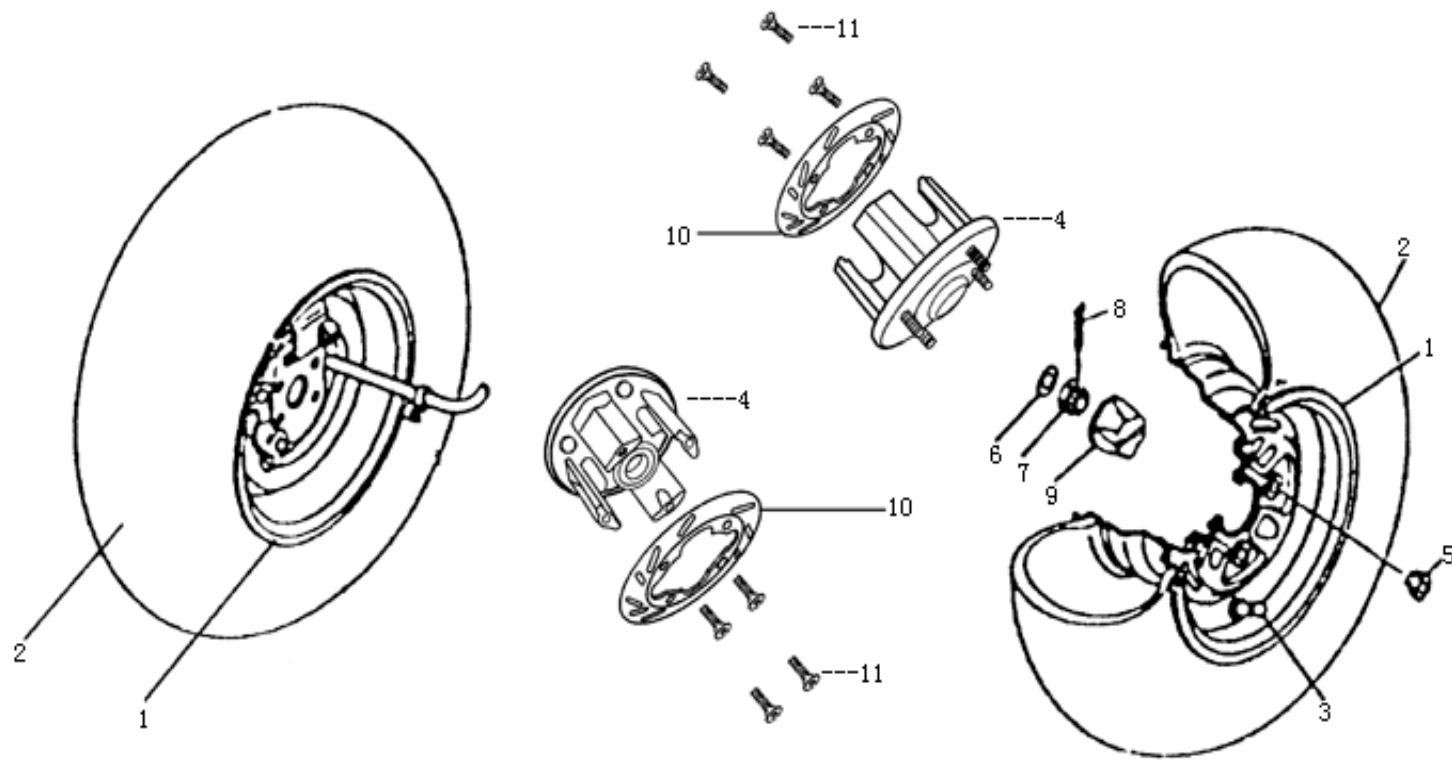
FIG. 17



ATV250-EC PARTS CATALOG

REF.NO	PART NO.	DESCRIPTION	UNIDAD
17-1	525200	FRONT LEFT WHEEL FORK WELD	1
17-2	525300	FRONT RIGHT WHEEL FORK WELD	1
17-3	sB1070	BOLT M10×70	4
17-4	mc1000	NUT M10	4
17-5	505100	FRONT SHOCK ABSORBER	2
17-6	505130	FRONT SHOCK ABSORBER NUT	2
17-7	a23200	CIRCLIP 32	4
17-8	525400	STEERING KNUCKLE ASSY,R	1
17-9	525500	STEERING KNUCKLE ASSY,L	1
17-10	md1200-6	NUT M12×1.25	2
17-11	x03b30	COTTER PIN 3.2×30	2
17-12	s51250	BOLT M12×50	4
17-13	Mc1200	NUT M12	4
17-14	d00812	BOLT M8×12	4
17-15	409000	FRONT HPLRAULIC BRAKE	1
17-16	sB0616	SCREW M6×16	1
17-17	x02e20	COTTER PIN Φ2.5×20	1
17-18	q10600	WASHER Φ6	1
17-19	x40618	AXLE PIN Φ6×18	1

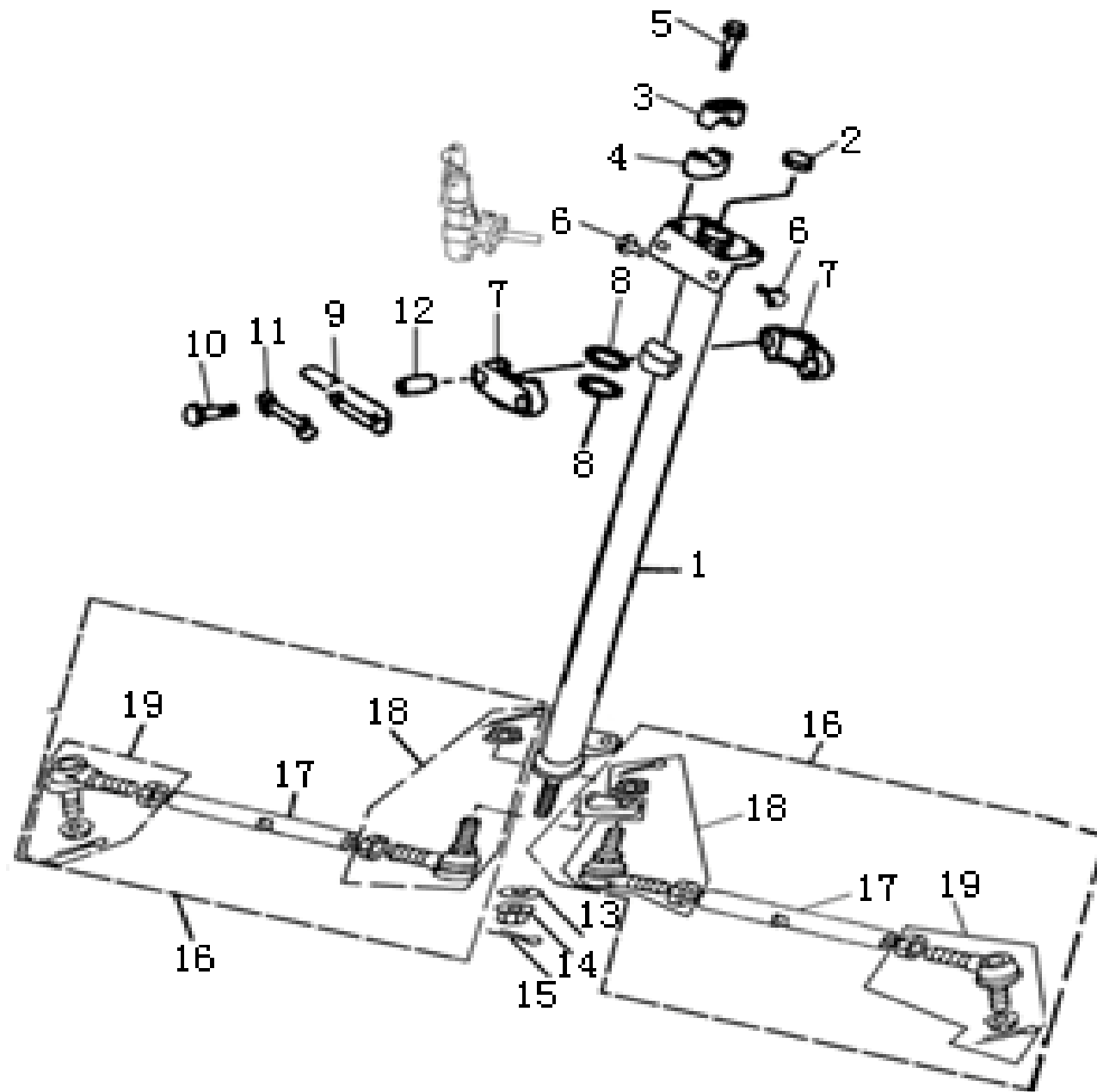
FIG. 18



ATV250-EC PARTS CATALOG

REF.NO	PART NO.	DESCRIPTION	UNIDAD
18-1	401100	FRONT RIM	2
18-2	402001	FRONT TIRE	2
18-3	402102	AIR CHAIN MOUTH WITHOUT TUBE	2
18-4	409074	FRONT PEDESTAL	2
18-5	401075	CONNECTING NUT OF FRONT AND REAR WI	8
18-6	Q21400-21	WASHER 14-140HV	2
18-7	M11400	NUT M14	2
18-8	XO3B26	COTTER PIN 3.2×26	2
18-9	401107	DUST-PROOF COVER OF FRONT AND REAR	2
18-10	409001	BRAKE DISC	2
18-11	T12210-008016	BOLT M8×16	8

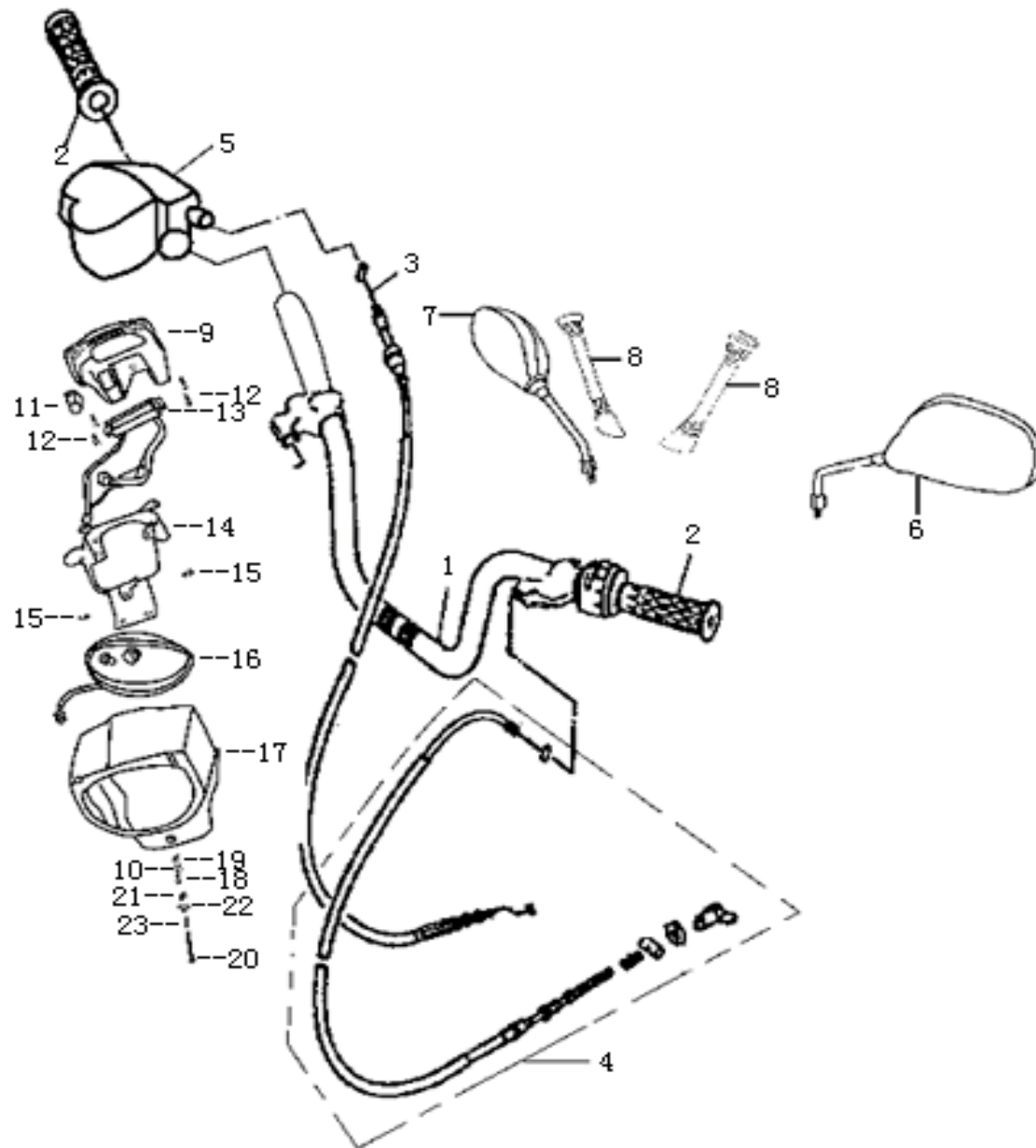
FIG. 19



ATV250-EC PARTS CATALOG

REF.NO	PART NO.	DESCRIPTION	UNIDAD
19-1	611200	STEERING STEM	1
19-2	611007	DUST-PROOF COVER	1
19-3	611001	HOLDER, HANDLE	4
19-4	611002	HELEER, HANDLE UNDER	1
19-5	SB0850	BOLT M8×50	2
19-6	SB0635	BOLT M6×35	2
19-7	611018	PLANE BEARING, STEERING	2
19-8	611019	OIL SEAL	2
19-9	611015	WIRE CLIP UNIT	1
19-10	SB0860	BOLT M8×60	2
19-11	611020	LOCKING SHIM	1
19-12	611021	BUSHING	2
19-13	Q21000	WASHER 10	1
19-14	M81000	NUT M10	2
19-15	XO2E24	COTTER PIN 2.5×24	4
19-16	611500	Linkage comp	2
19-17	611501	Tire rod	2
19-18	611502	Linkage, tire rod (inner)	2
19-19	611503	Linkage, tire rod (outter)	2

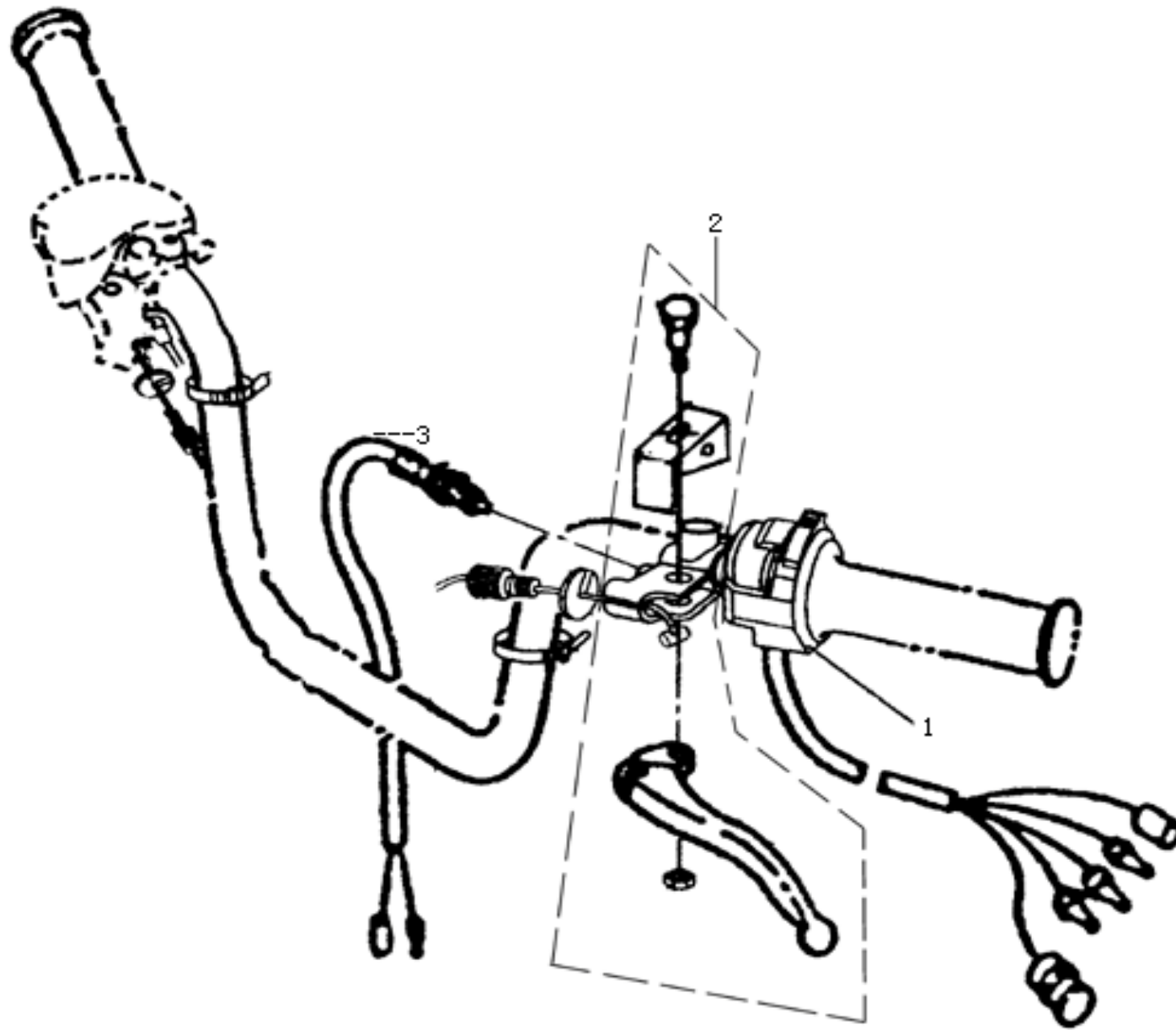
FIG. 20



ATV250-EC PARTS CATALOG

REF.NO	PART NO.	DESCRIPTION	UNIDAD
20-1	601001	STEERIG BAR TUBE	1
20-2	602100	LEFT HANDLE BAR	2
20-3	607000	THROTTLE CABLE	1
20-4	610000	REAR BRAKE CABLE	1
20-5	602200	THROTTLE LEVER ASSY	1
20-6	902100	LEFT REARVIEN MIRROR	1
20-7	902200	RIGHT REARVIEN MIRROR	1
20-8	902171	SLECVE, REARVIEN MITTOR	2
20-9	813400	INSTRUMENT COVER	1
20-10	Q10500	WASHER ϕ 5	1
20-11	342000	URGENT SWITCH	1
20-12	G00325	SCREW 3 \times 25	4
20-13	323000	INSTRUMENT	1
20-14	505300	FRAMT, HEADLIGHT	1
20-15	SA0816	BOLT M8 \times 16	2
20-16	314000	HEADLIGHT ASSY	1
20-17	812100	SHELL, HEADLIGHT	1
20-18	D20512	SCREW M5 \times 12	1
20-19	M10500	NUT M5	1
20-20	D20440	ADJUSTING BOLT M4 \times 40	1
20-21	M10400	NUT M4	2
20-22	Q10400	WASHER ϕ 4	1
20-23	314012	SPRING ϕ 4 \times 30	1

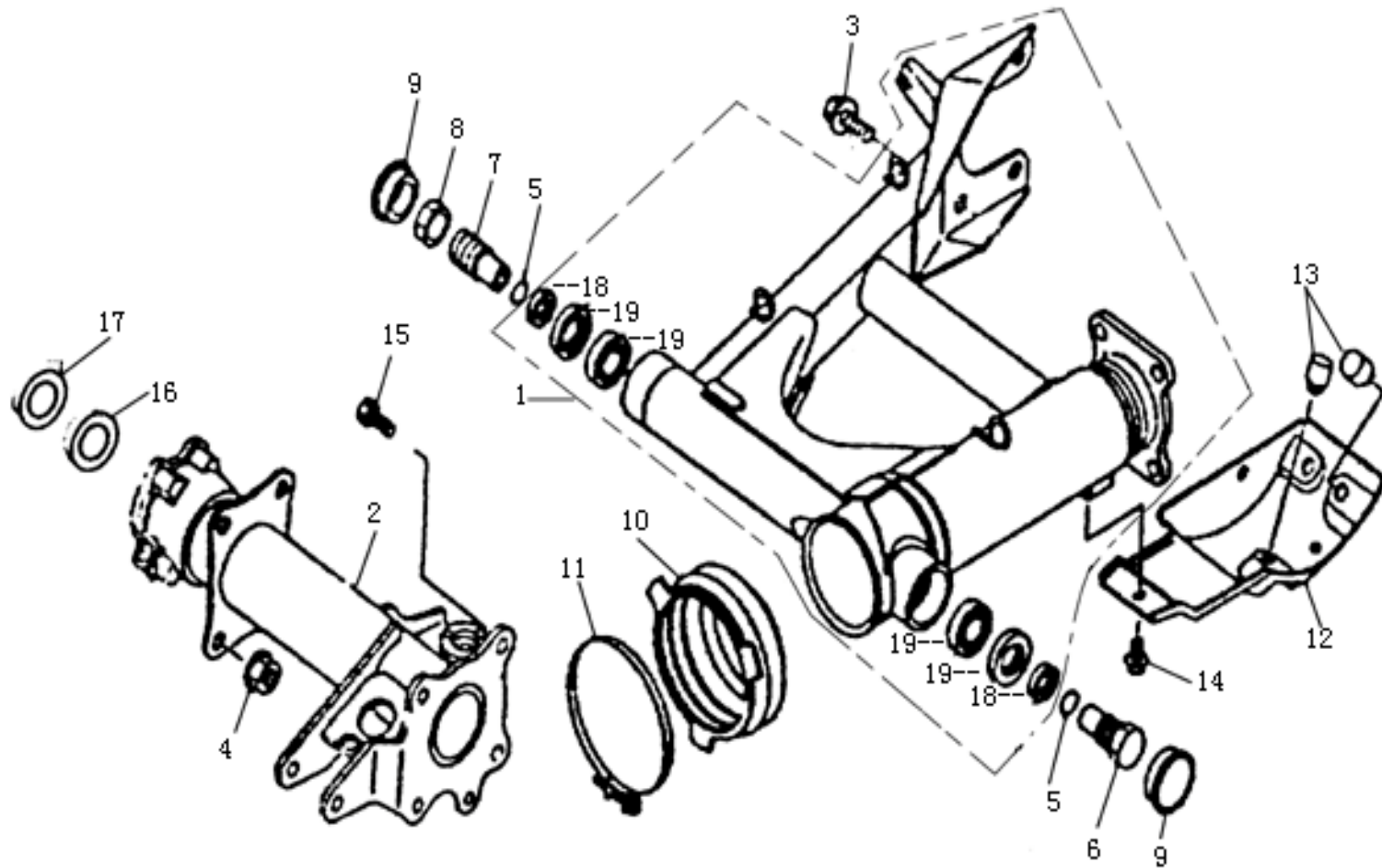
FIG. 21



ATV250-EC PARTS CATALOG

REF.NO	PART NO.	DESCRIPTION	UNIDAD
21-1	324201	LEFT HANDLE BAR ASSY	1
21-2	324216	RIGHT LEVER ASSY	1
21-3	606000	CLUTCH CABLE	1

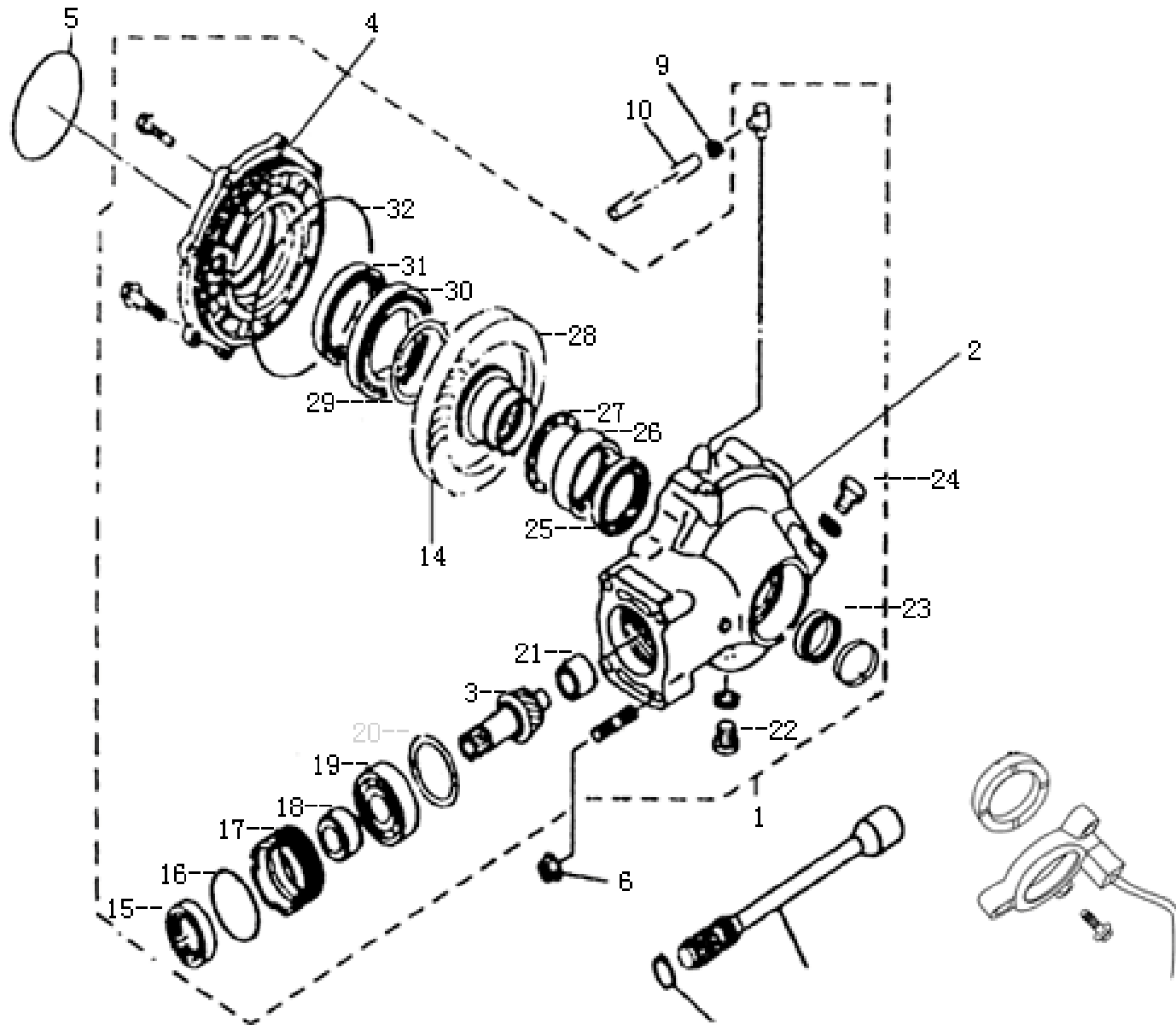
FIG. 22



ATV250-EC PARTS CATALOG

REF.NO	PART NO.	DESCRIPTION	UNIDAD
22-1	508100	REAR WHEEL FORK UNIT	1
22-2	206101	REAR WHEEL AXLE SLEEVE	1
22-3	sB1225	BOLT M12×25	4
22-4	mc1200	NUT M12	4
22-5	T51110-122170	O-RING 1.22×17	2
22-6	508053	REAR ARM CONNECTION BOLT(LEFT)	1
22-7	508054	REAR ARM CONNECTION BOLT(RIGHT)	1
22-8	m52200-mgm716cz	NUT M22(RIGHT)	1
22-9	508002	REAR ARM DUST-PROOF COVER	2
22-10	508051	RUBBE COVERING PIPE	1
22-11	508052	DRIVING AXLE CLAMP UNIT(FRONT)	1
22-12	206171	TRANSMISSION CASE PROTECTIVE COVER	1
22-13	206172	RUBBER PAD	3
22-14	sB0812	BOLT M8×12	2
22-15	s71025-6	BOLT M10×1.25×25	4
22-16	206106	OIL SEAL	1
22-17	c06206-2rs	BEARING 6206-2RS	1
22-18	912205	BUSH.RR.FORK	2
22-19	C1-30203	BEARING 30203	2

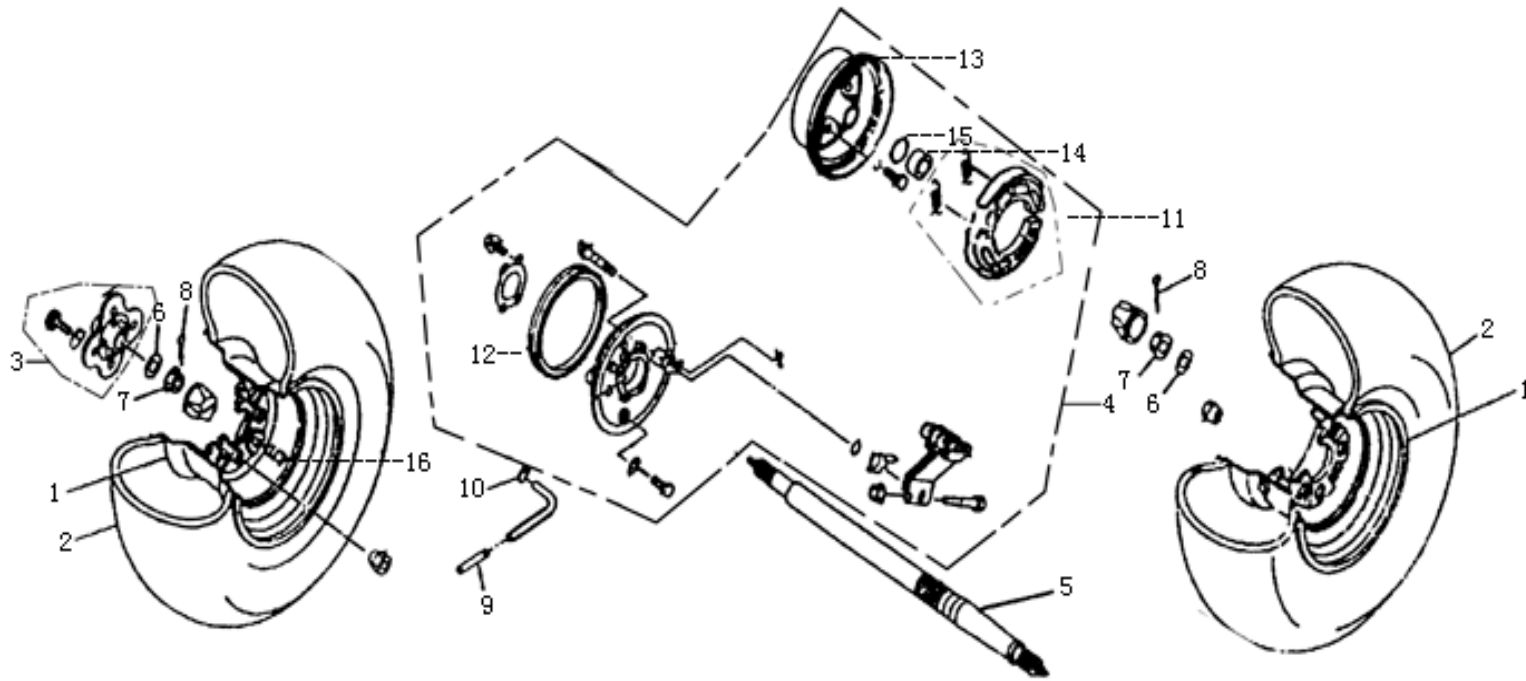
FIG. 23



ATV250-EC PARTS CATALOG

REF.NO	PART NO.	DESCRIPTION	UNIDAD
23-1	204200	REAR DRIVING GEAR ASSY	1
23-2	204205	DRIVING GEAR BOX BODY	1
23-3	204202	DRIVING GEAR	1
23-4	204211	CABINET COVER	2
23-5	T51110-355085	O-RING 85×3.55G	1
23-6	MD1000-6	NUT M10×1.25	4
23-7	204002	DRIVING AXLE	1
23-8	A22100	CIRCLIP 21	1
23-9	204217	BRAKE AIR-DRAIN CLAMP	1
23-10	204207	GEAR BOX AIR -DRAIN	1
23-11	204078	MAGNETIC BLOCK	1
23-12	204075	SPEED SENSOR	1
23-13	SB0625	BOLT M6×25	3
23-14	204202	DRIVEN GEAR	1
23-15	GB/T 62105832-8.1-2000	SEAL 40×53.1×8.3	1
23-16	T51150-200526	O-RING 52.6×φ2	1
23-17	204212	NUT	1
23-18	204210	AXLE SLEEVE	1
23-19	C0-6305	REARING 6305	1
23-20	204218-0020010	WASHER	1
23-21	C3-NK173017	BEARING,NEEDLE NK173017	1
23-22	204208	BOLT,OIL DRAIN	1
23-23	204224	SEAL(68)	1
23-24	204213	BOLT,OIL FILL	1
23-25	GB/T 62105832-8.1-2000	SEAL 55.6×68.19×9	1
23-26	C3-NK556720	BEARING,ROLLER NK556720	1
23-27	204220	GASKET	1
23-28	204202	PINION	1
23-29	204218	WASHER	1
23-30	CO-7000113	BEARING 7000113	1
23-31	GB/T 62105832-8.1-2000	SEAL 65×85×8.5	1
23-32	T51150-355155	O-RING 155×3.55G	1

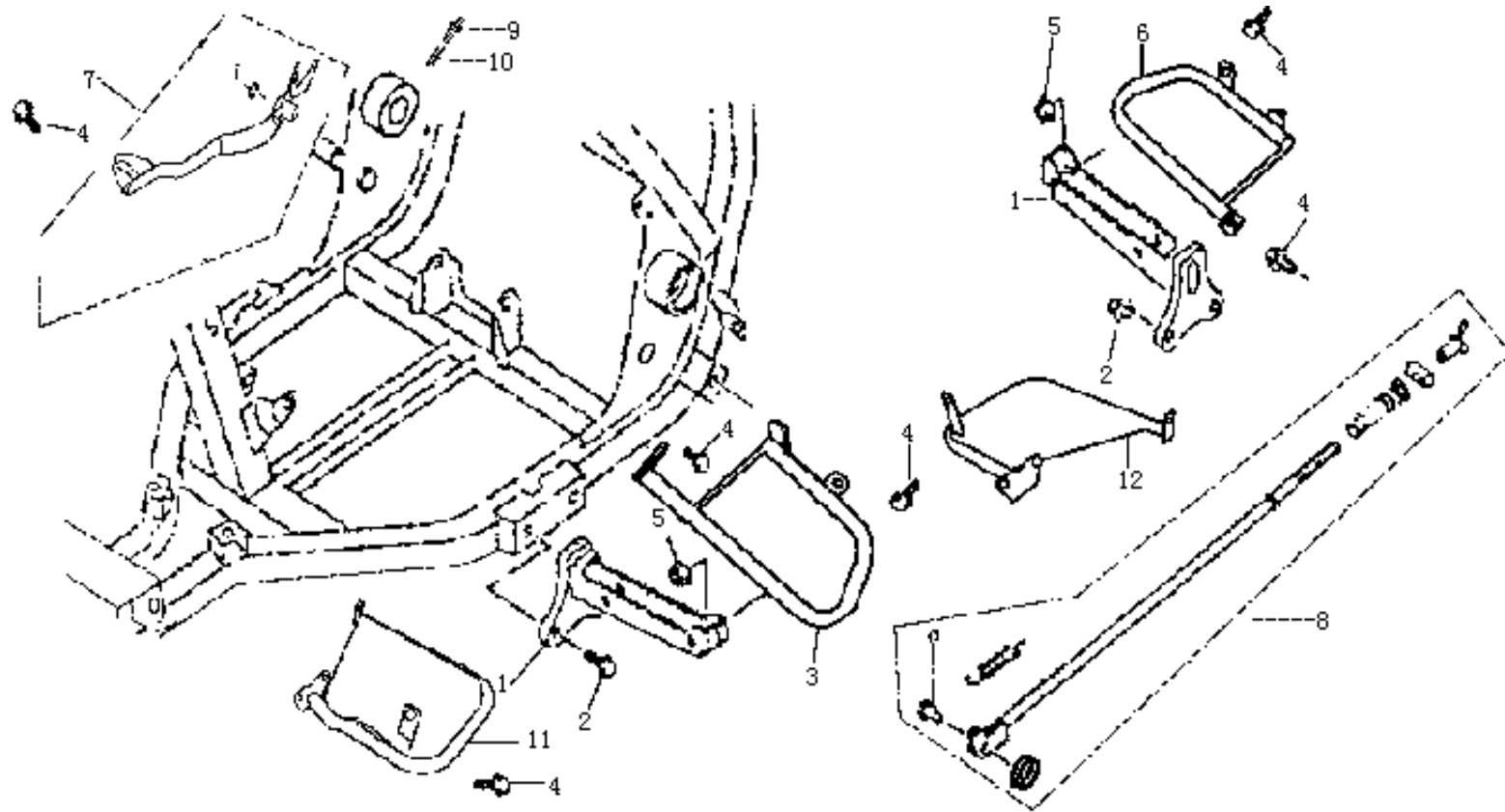
FIG. 24



ATV250-EC PARTS CATALOG

REF.NO	PART NO.	DESCRIPTION	UNIDAD
24-1	403100	REAR RIM UNIT	2
24-2	404001	REAR TIRD	2
24-3	412000	REAR WHEEL CONNECTING PLATE ASSY	2
24-4	407000	REAR BRAKE ASSY	1
24-5	204204	REAR WHEEL AXLE	1
24-6	q21600	WASHER 16	2
24-7	401076	REAR WHEEL AXLE NUT M16	2
24-8	x03b30	COTTER PIN 3.2×30	2
24-9	911110	AIR FLOW PIPE	1
24-10	912311	CLIP	1
24-11	407201	RR.BRAKE SHOE	2
24-12	206103	SEAL RING	1
24-13	407301	RR.BRAKE DRUM	1
24-14	t51120-200294	O-RING 2.0×29.4	1
24-15	Q22940	WASHER φ29.4	1
24-16	402102	VALVE	2

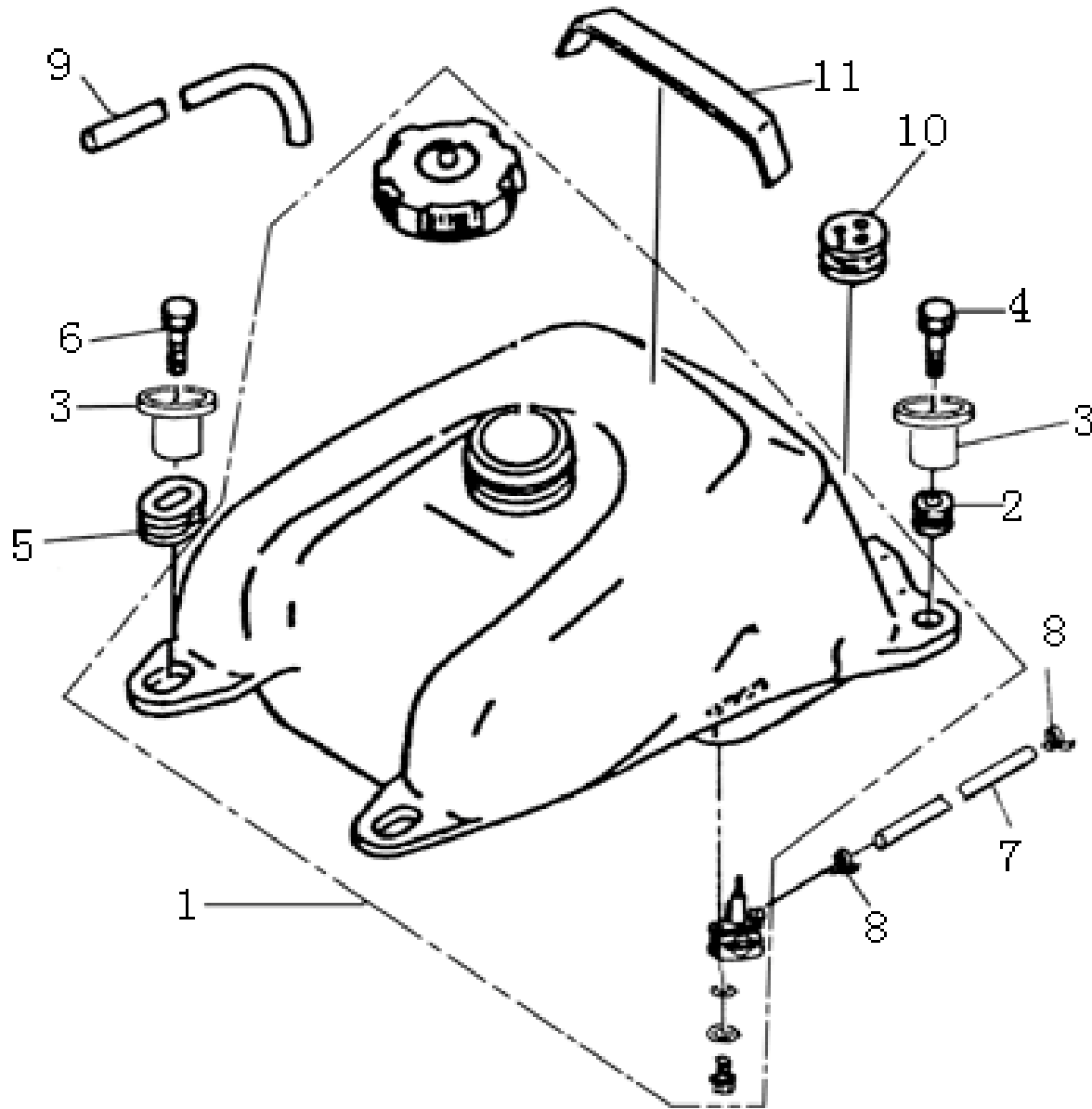
FIG. 25



ATV250-EC PARTS CATALOG

REF.NO	PART NO.	DESCRIPTION	UNIDAD
25-1	510100	BRACKET WELD	2
25-2	SB1022	BOLT M10×22	4
25-3	523100	FIXED MOUNT, LEFT FOOT WELL	1
25-4	SB0816	BOLT M8×16	8
25-5	M80800	NUT M8	4
25-6	523200	STAND WELD (RIGHT)	1
25-7	408200	REAR BRAKE PEDAL ASSY	1
25-8	408100	REAR BRAKE TENSION ROD ASSY	1
25-9	526001	REAR BRAKE SWITCH	1
25-10	408272	SPRING , REAR BRAKE SWITCH	1
25-11	522100	LEFT BRACKET	1
25-12	522200	RIGHT BRACKET	1

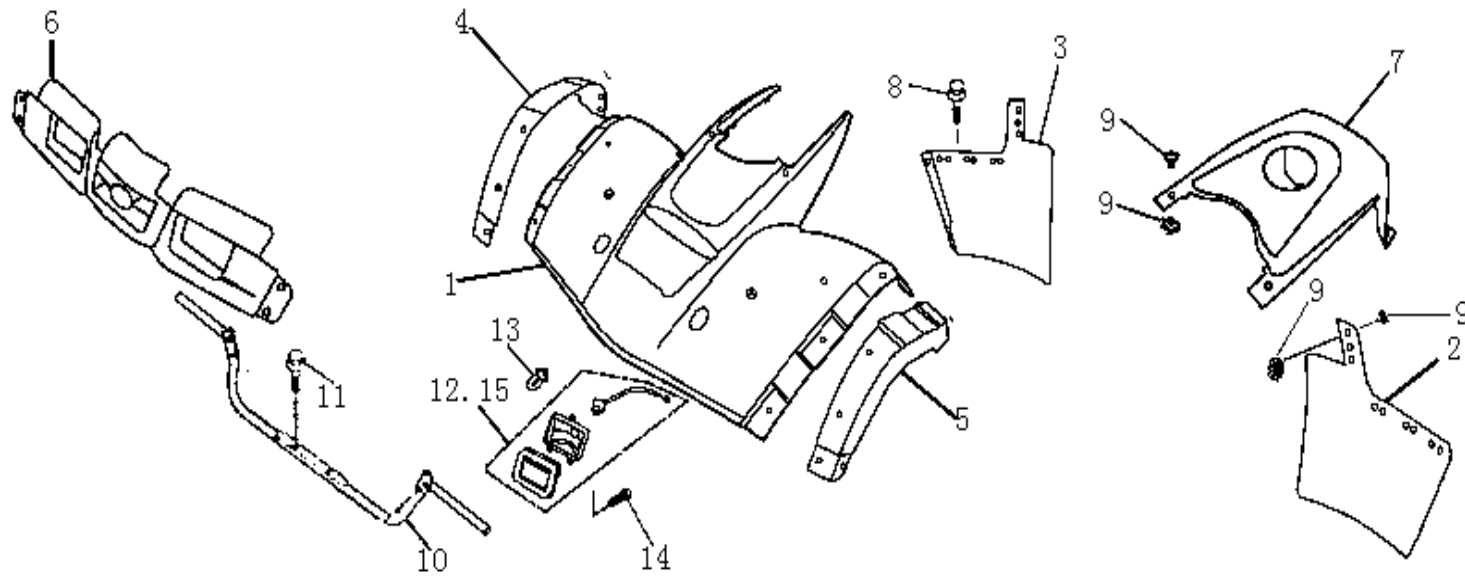
FIG. 26



ATV250-EC PARTS CATALOG

REF.NO	PART NO.	DESCRIPTION	UNIDAD
26-1	801500	FUEL TANK BODY ASSY	1
26-2	801084	RUBBER BUSH OF FUEL TANK	2
26-3	912219	INSTALLING BUSHING OF FUEL TANK	2
26-4	sB0640	BOLT M6×40	2
26-5	801085	RUBBER BUSH OF FUEL TANK 2	2
26-6	sB0635	BOLT M6×35	2
26-7	801086	FUEL INTAKE PIPE	1
26-8	801088	STEEL WIRE CLASP	2
26-9	911110	HOSE 5270-O5×15 (500mm)	1
26-10	801406	DAMPER	1
26-11	905012	FOAM, LOCATING	1
26-12	804000	CAP.FUEL TANK	1

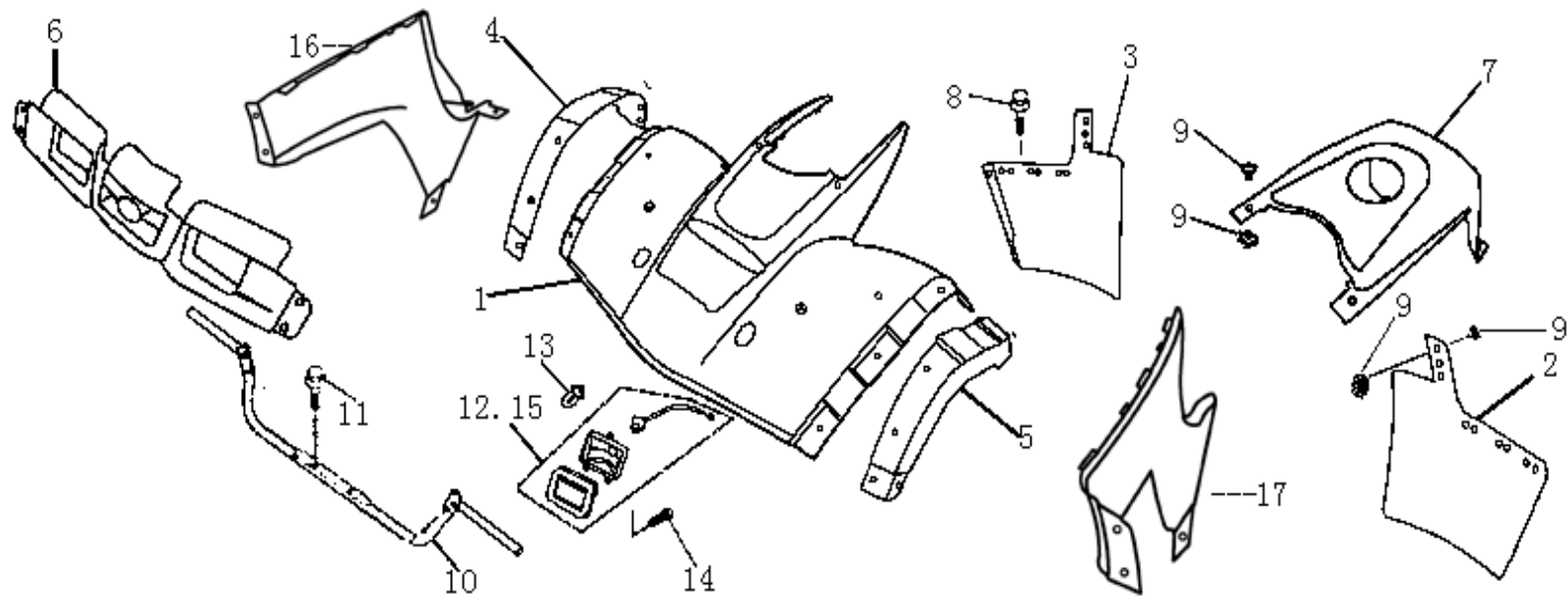
FIG. 27



ATV250-EC PARTS CATALOG

REF.NO	PART NO.	DESCRIPTION	UNIDAD
27-1	806100	FROTN FEDNER	1
27-2	806050	LEFT FRONT FENDER FLAP	1
27-3	806051	RIGHT FRONT FENDER FLAP	1
27-4	806053	R. PROTECTING PLATE	1
27-5	806052	L. PROTECTING PLATE	1
27-6	810000	HEADLIGHT COVER	1
27-7	801313	UPPER COVER OF FUEL TANK	1
27-8	809101	PAN HEAD SCREW	8
27-9	911107	PLASTIC EXPANSION SCREW ASSY	40
27-10	806073	FRONT FENDER SUPPORTING ROD	1
27-11	sB0816	BOLT M8×16	2
27-12	314100	HEADLIGHT ASSY,L	1
27-13	314200	BULB 12V30W	2
27-14	d20512	SCREW 5×12	6
27-15	314200	HEADLIGHT ASSY, R	1
27-16	801303	R.PROTECTION PLATE.FUEL TANK	1
27-17	801302	L.PROTECTION.PLATE.FUEL TANK	1

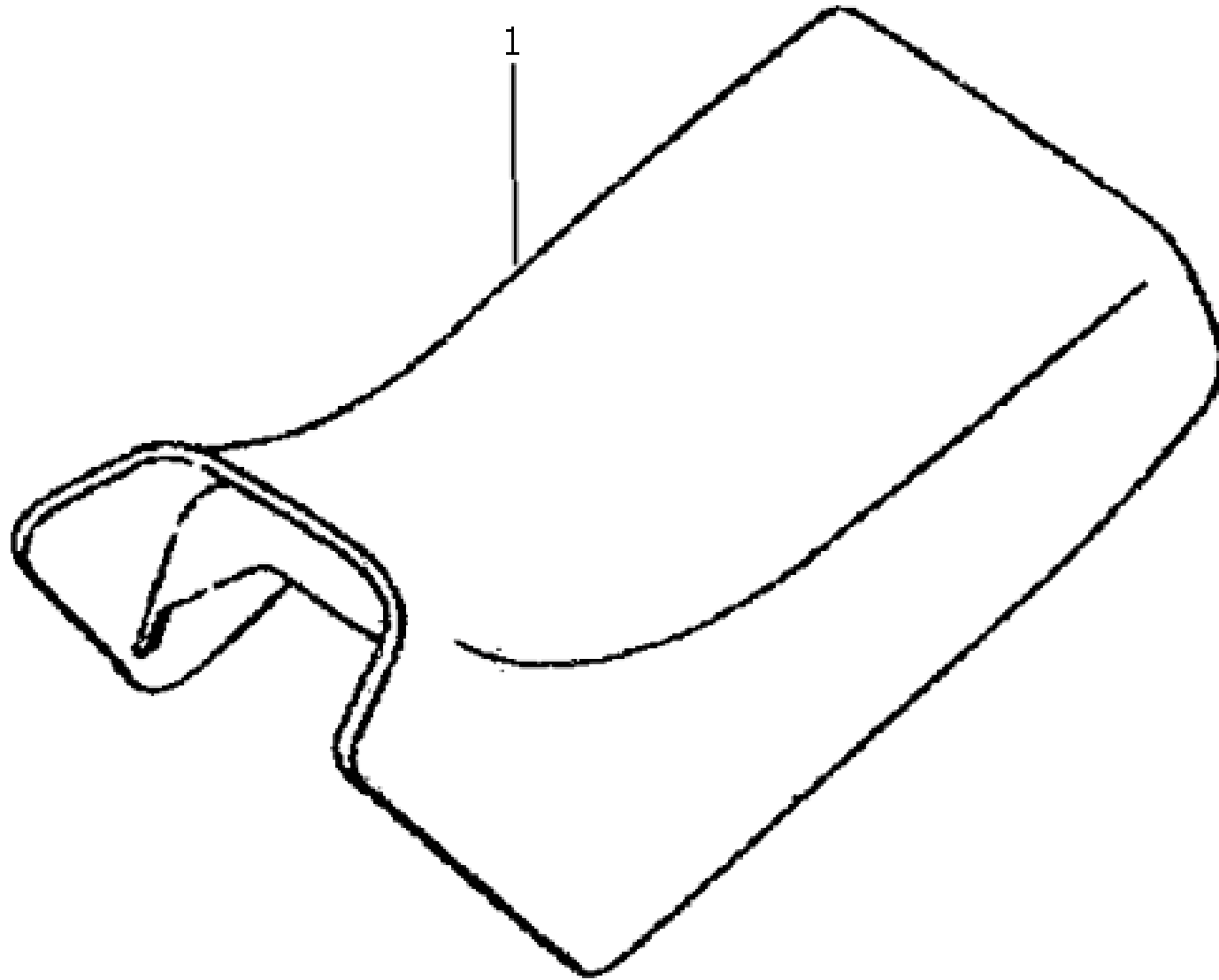
FIG. 28



ATV250-EC PARTS CATALOG

REF.NO	PART NO.	DESCRIPTION	UNIDAD
28-1	807100	REAR FENDER	1
28-2	807054	LEFT PEDAL	1
28-3	807055	RIGH PEDAL	1
28-4	807052	L. PROTECTING PLATE	1
28-5	807053	R. PROTECTING PLATE	1
28-6	807051	R. RR. PROTECTING PLATE	1
28-7	807050	L. RR. PROTECTING PLATE	1
28-8	520100	TOOL KIT UNIT	1
28-9	520078	TOOL KIT CATCH	2
28-10	303273	SHOCK PROOF PAD	5
28-11	t12000-006016	PAN HEAD SCREW M6×16	10
28-12	m80600	NUT M6	10

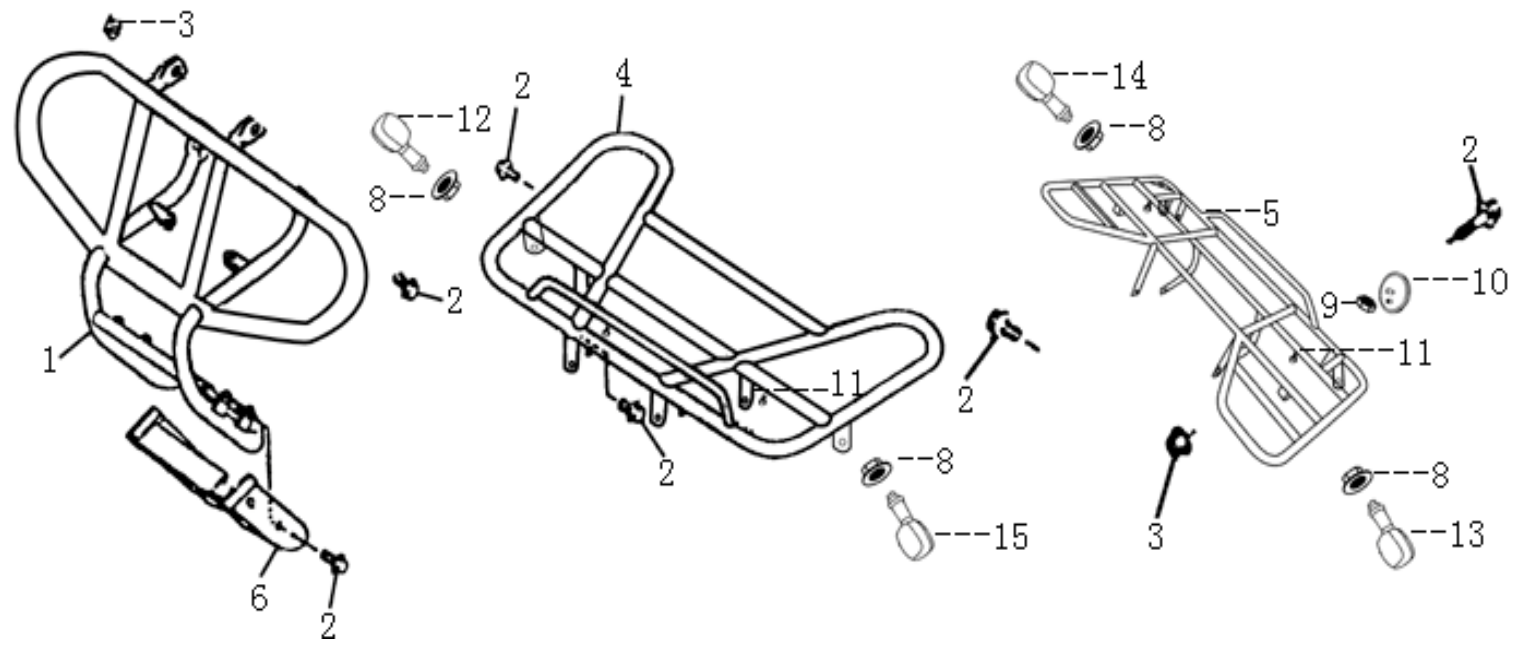
FIG. 29



ATV250-EC PARTS CATALOG

REF.NO	PART NO.	DESCRIPTION	UNIDAD
29-1	701000	SEAT	1

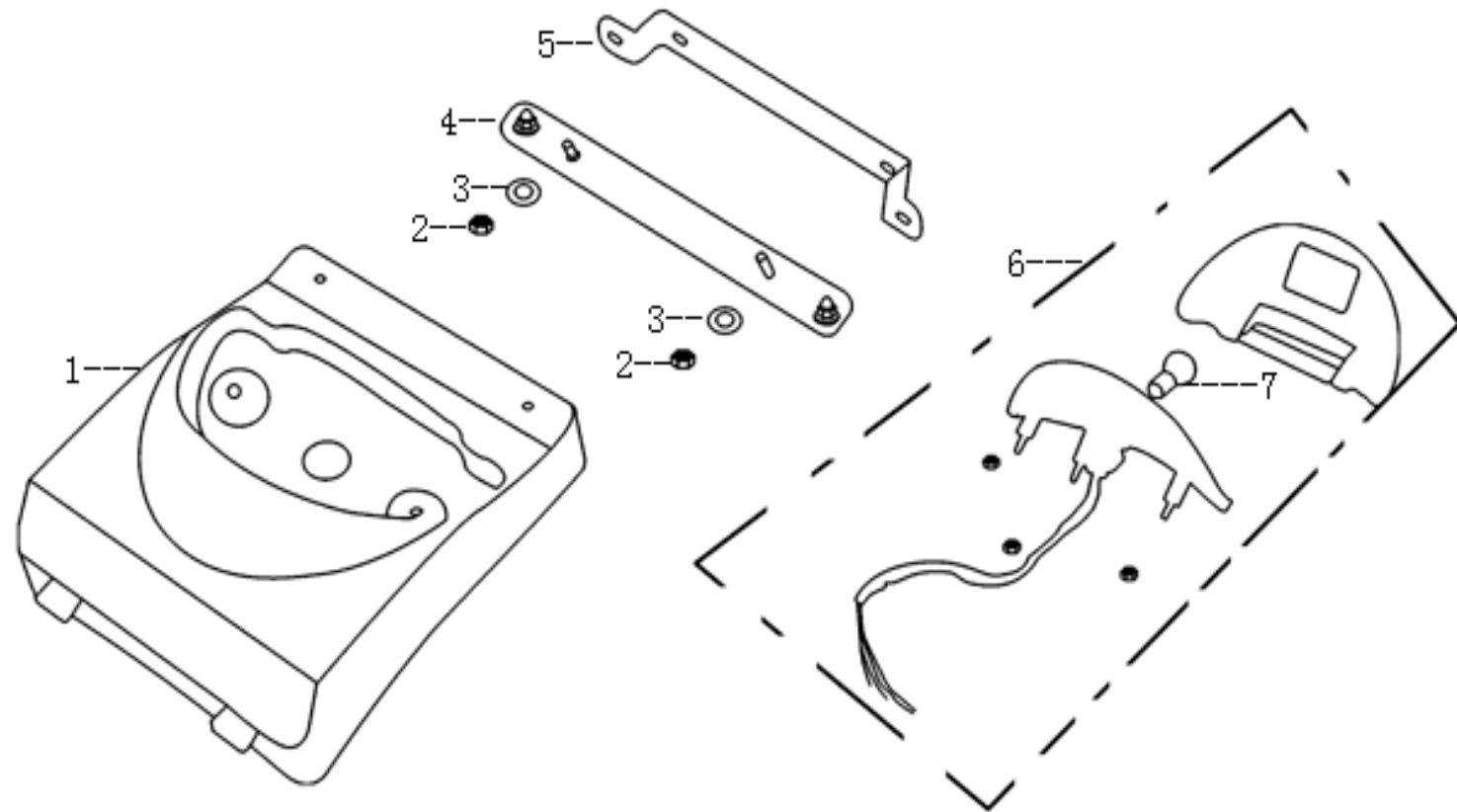
FIG. 30



ATV250-EC PARTS CATALOG

REF.NO	PART NO.	DESCRIPTION	UNIDAD
30-1	519100	BUMPER	1
30-2	SB0816	BOLT M8×16	16
30-3	M80800	NUT M8	16
30-4	704000	FRONT LUGGAGE CARRIER	1
30-5	702100	REAR LUGGAGE CARRIER	1
30-6	806092	FRONT SAFEGUARD	1
30-7	316000	FRONT TURN LIGHT, L	4
30-8	M81000	NUT M10	4
30-9	M10500	NUT M15	2
30-10	310000	SIDE REFLECTOR	2
30-11	316072	CABLE CLIP	14
30-12	317000	FRONT TURN LIGHT, R	1
30-13	318000	REAR TURN LIGHT, L	1
30-14	319000	REAR TURN LIGHT, R	1
30-15	316006	BULB, TURN LIGHT 12V10W	4

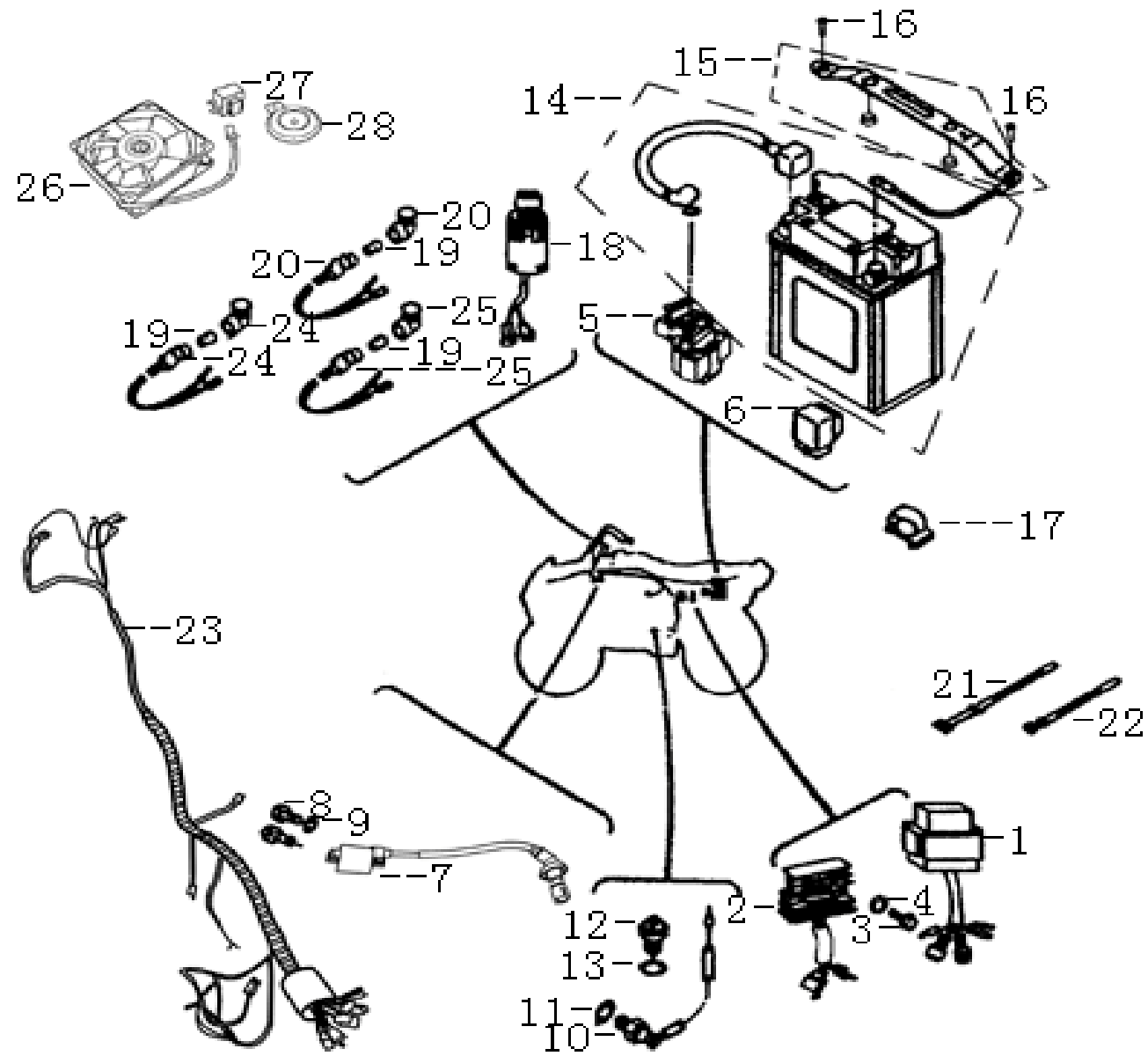
FIG. 31



ATV250-EC PARTS CATALOG

REF.NO	PART NO.	DESCRIPTION	UNIDAD
31-1	520200	TOOL BOX COVER	1
31-2	M80600	NUT M6	2
31-3	Q20600	WASHER Φ 6	2
31-4	807092	CONNECTION PLATE	1
31-5	807072	RACK,REAR LICENSE	1
31-6	315000	TAIL LIGHT ASSY	1
31-7	315002	BULB 12V/21/5W	1

FIG. 32



ATV250-EC PARTS CATALOG

REF.NO	PART NO.	DESCRIPTION	UNIDAD
32-1	306000	CDI UNIT	1
32-2	302000	RECTIFICATION REGULATOR	1
32-3	sB0625	BOLT M6×25	1
32-4	q00600	SPRING WASHER 6	1
32-5	301000	START RELAY	1
32-6	350000	SHUTDOWN RELAY	1
32-7	305000	HIGH PRESSURE COIL ASSY	2
32-8	h00516	BOLT UNIT M5×16	2
32-9	q00500	SPRING WASHER 5	1
32-10	377300	REVERSE SWITCH	1
32-11	q00500	WASHER φ5	1
32-12	377100	NEUTRAL SWITCH	1
32-13	q00500	WASHER	1
32-14	303000	BATTERY ASSY	1
32-15	303272	PRESSURE BLOCK OF BATTERY	1
32-16	SB0620	FLANGE BOLT M6×20	2
32-17	501011	CABLE CLEAT	1
32-18	324100	MAIN SWITCH LOCK	1
32-19	323008	BULB .GEAR IDICATOR	3
32-20	307080	NEUTRAL INDICATOR ASSY	1
32-21	307071	CABLE BAND ASSY	1
32-22	601078	HANDLE BAR BAND	5
32-23	307000	CABLE	2
32-24	307083	REVERSE INDICATOR ASSY	1
32-25	307086	HIGH BEAM INDICATOR ASSY	1
32-26	343000	FAN ASSY	1
32-27	311000	FLASHER	1
32-28	312000-0010010	HORN	1